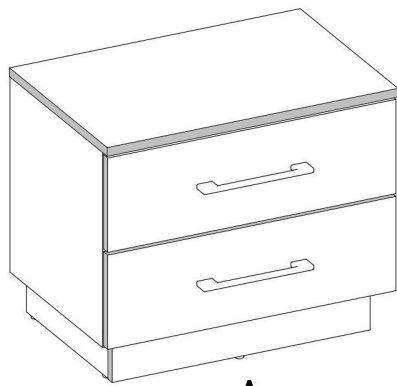


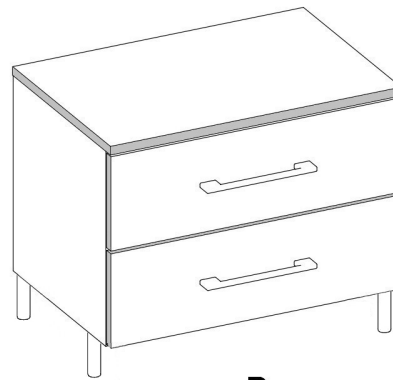
AMBER_2S

PRODUCTION DATE

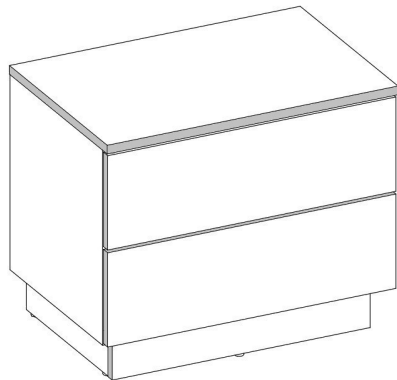
PACKING CODE



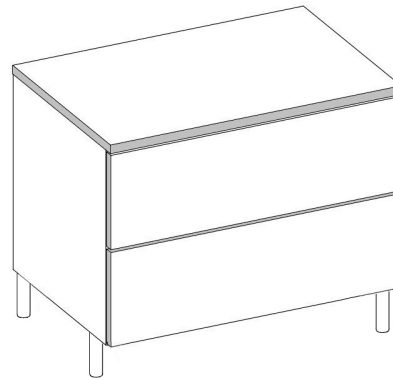
A



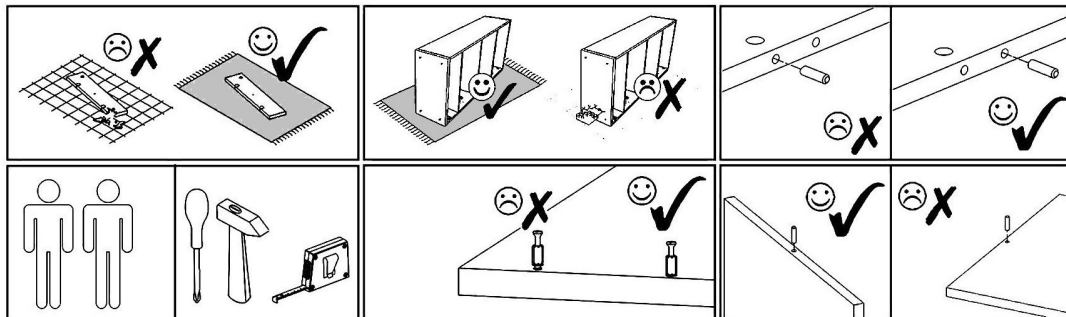
B



C



D



B1 B ø17/4mm x4	V12 x1
----------------------------------	----------------------

N1 L=35mm x16

S1 3,5x16mm x22

R7 4x27mm x4

T1 x5

U6 L=208/160 x2

S9 4x16mm x12

V62 x4

V25 x3

F1 7x50mm x4

F3 Hex 4mm x1

E1 8x30mm x18

Z1 x40

R1 6x8mm x8

T6 H=100mm x4

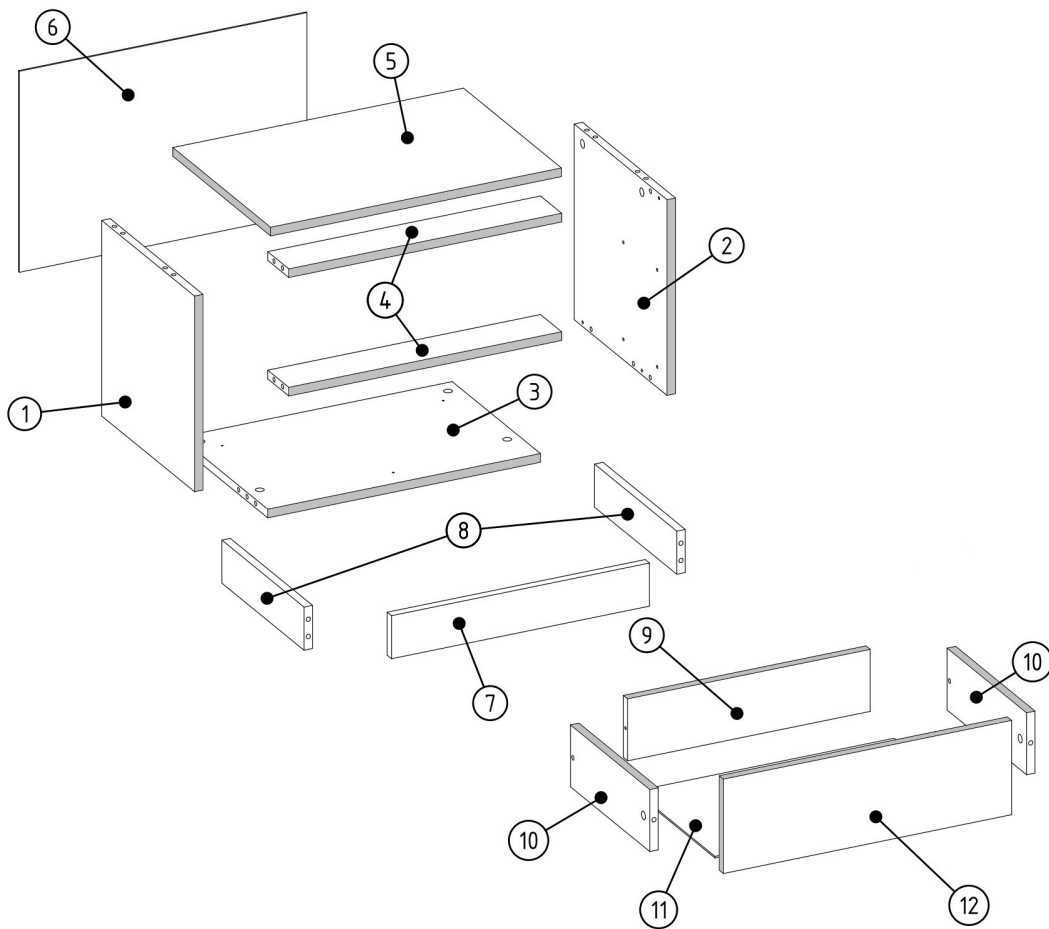
P2 L=300mm x2

M1 12x15mm x16

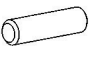




AMBER_2S

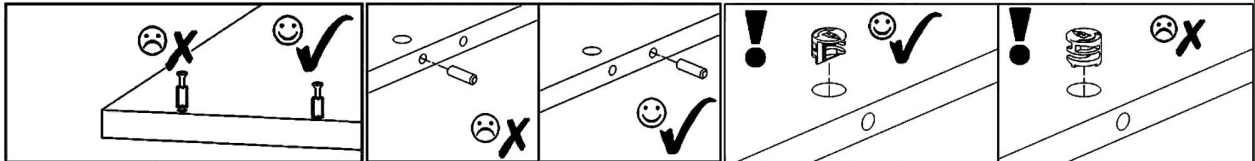
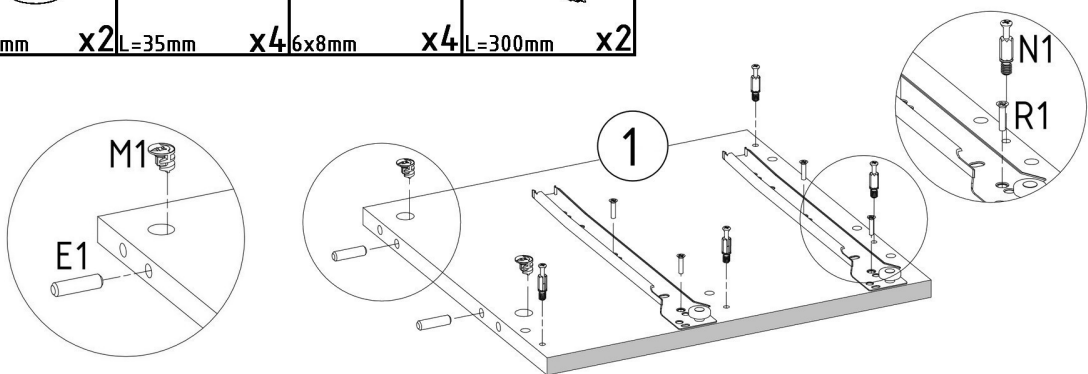
PRODUCTION DATE

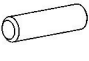



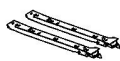
PACKING CODE

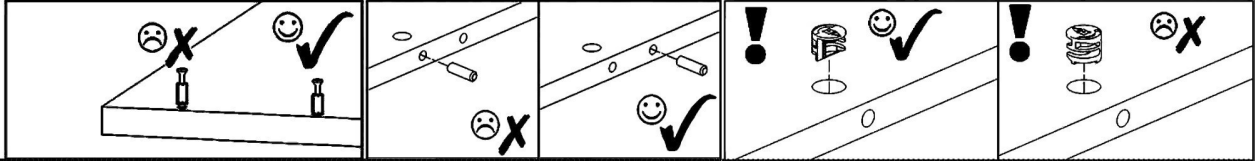
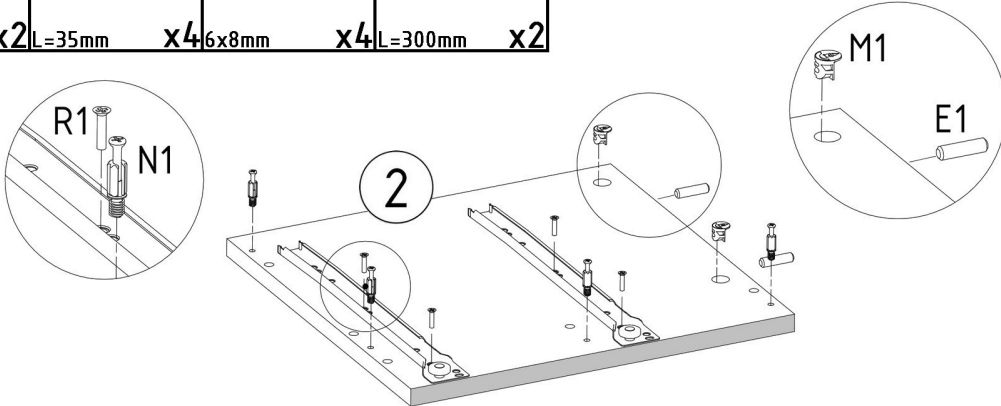



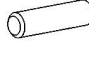


001816	12	2
001812	11	2
001361	10	4
001811	9	2
001817	8	2
001818	7	1
001819	6	1
001813	5	1
001815	4	2
001814	3	1
001820	2	1
001821	1	1
ID	NUMBER	QUANTITY

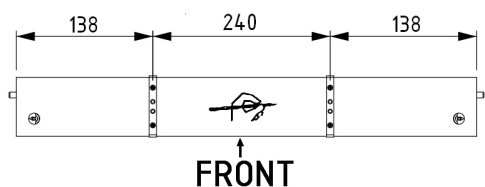
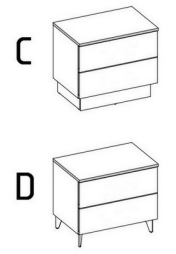
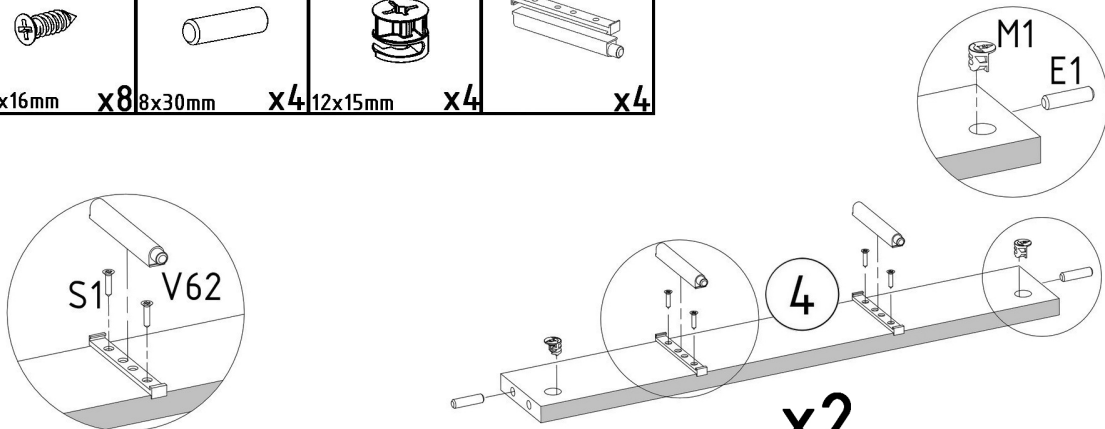
E1  8x30mm x2	M1  12x15mm x2	N1  L=35mm x4	R1  6x8mm x4	P2  L=300mm x2
--	--	---	--	--



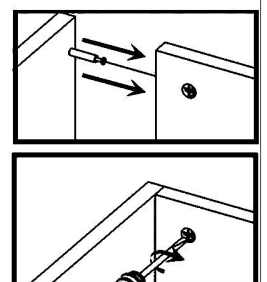
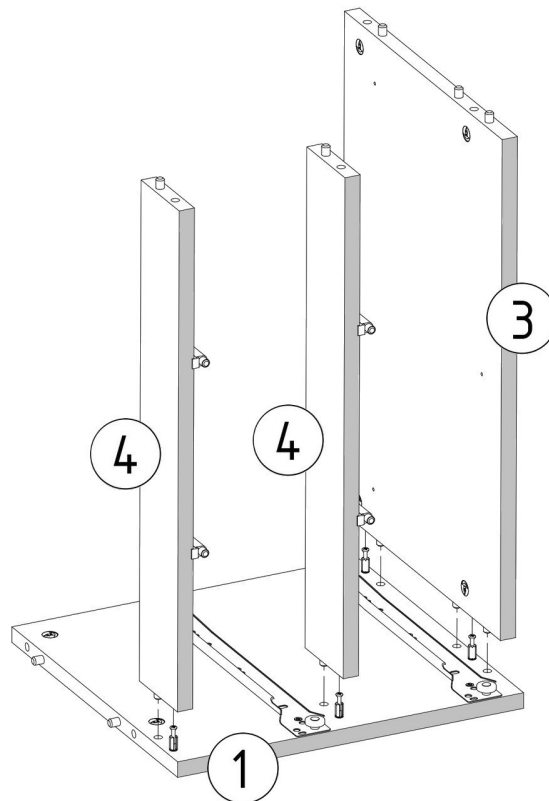
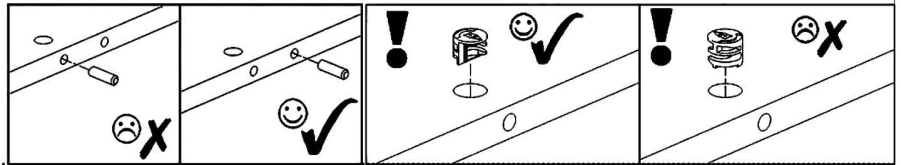
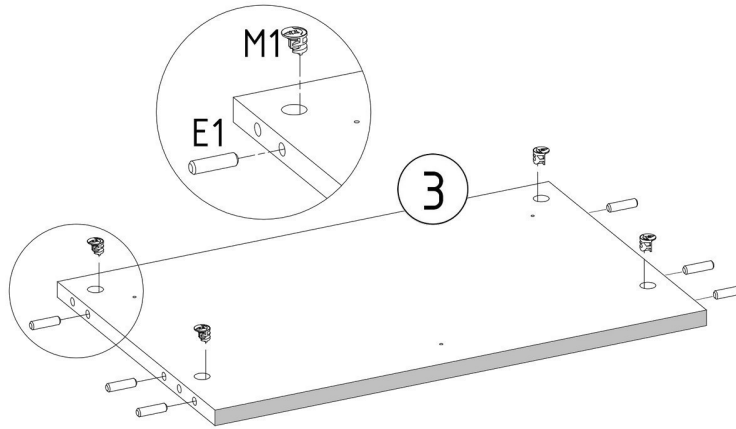
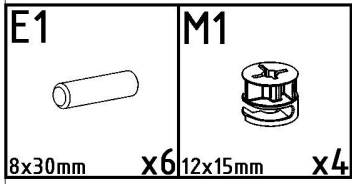
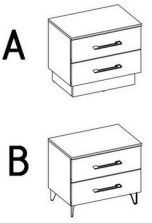
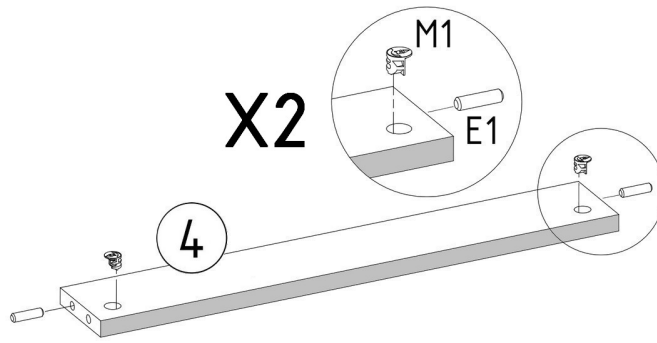
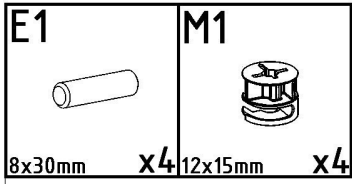
E1  8x30mm x2	M1  12x15mm x2	N1  L=35mm x4	R1  6x8mm x4	P2  L=300mm x2
--	--	---	--	--

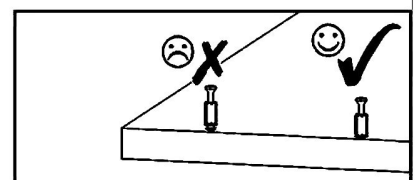
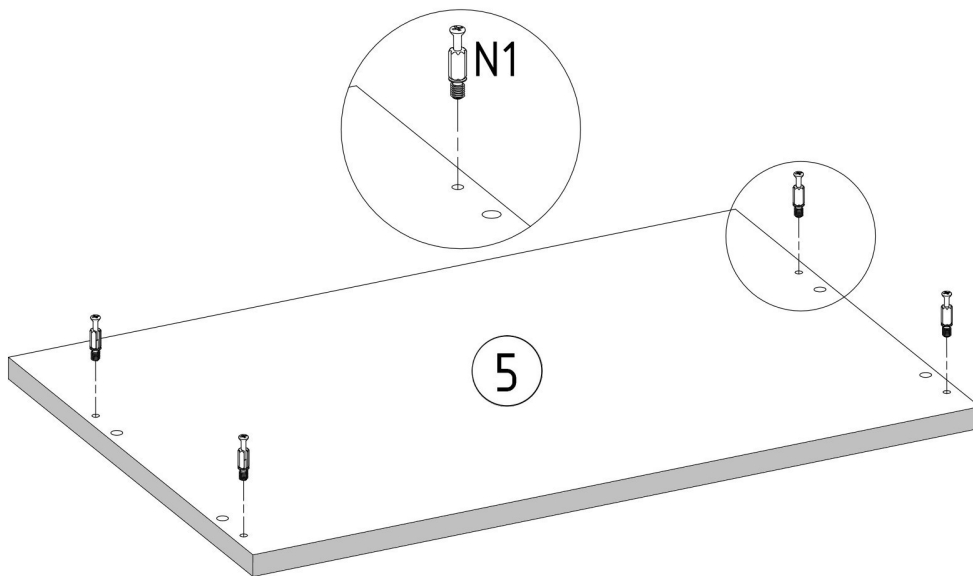
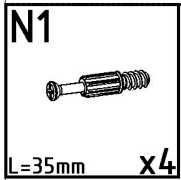
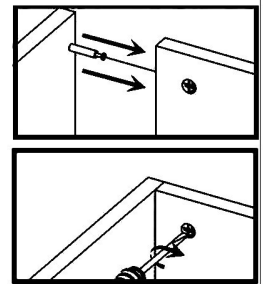
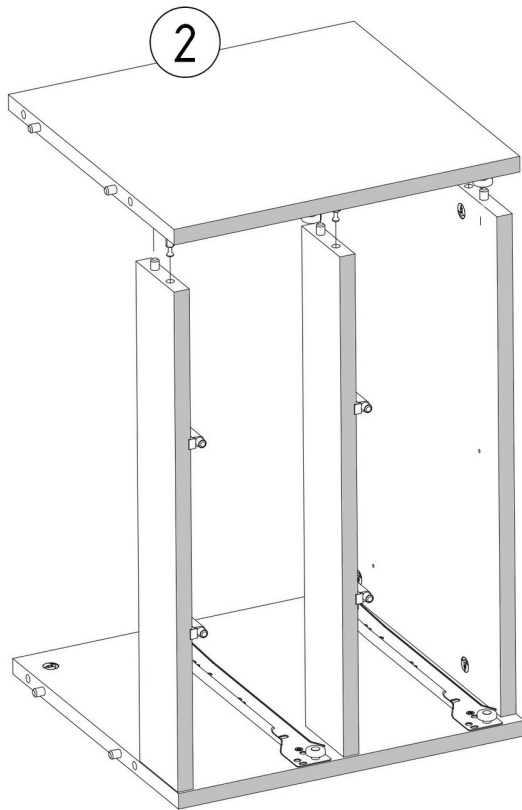


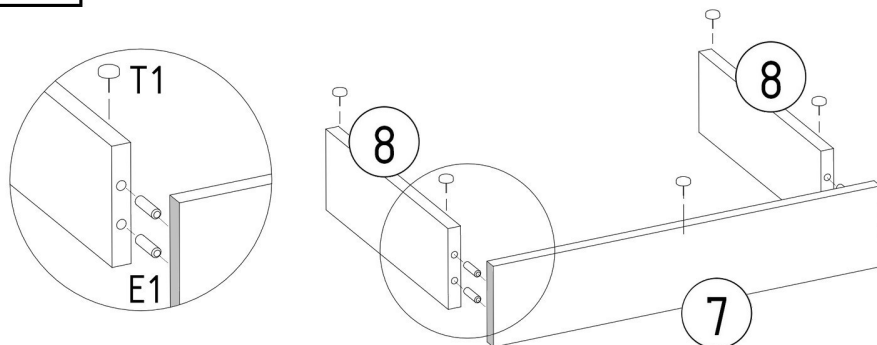
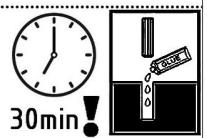
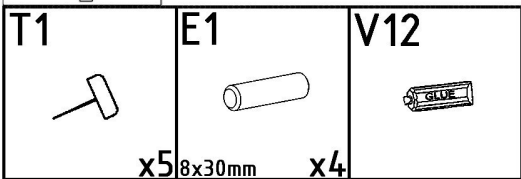
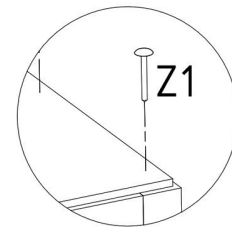
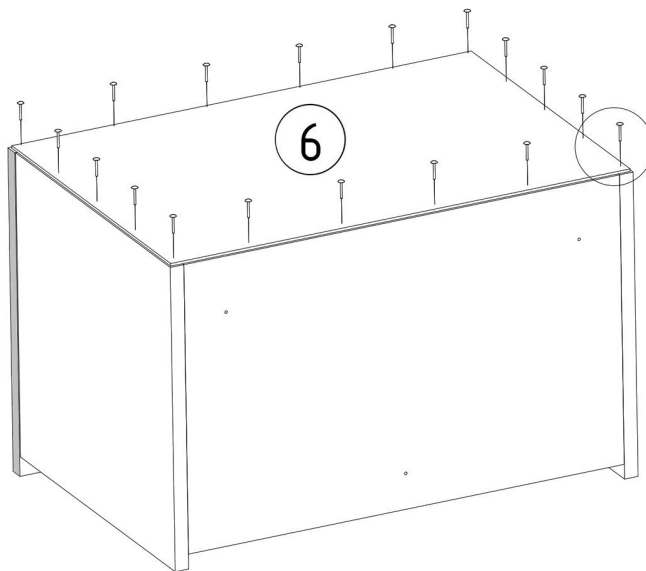
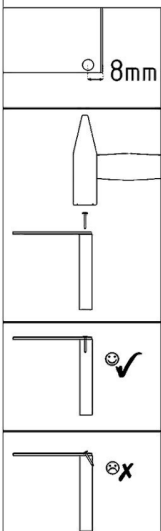
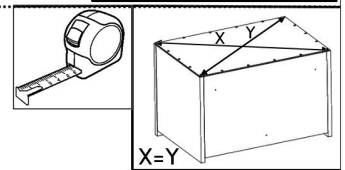
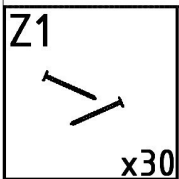
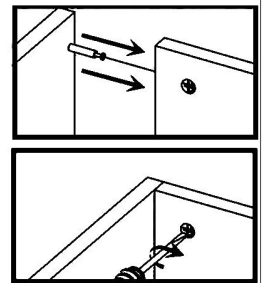
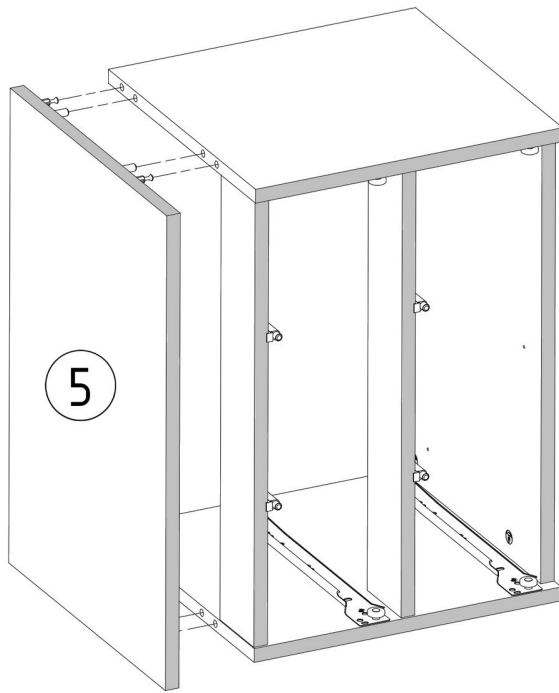
S1  3,5x16mm x8	E1  8x30mm x4	M1  12x15mm x4	V62  x4
--	---	--	---

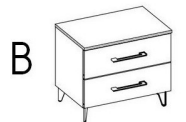
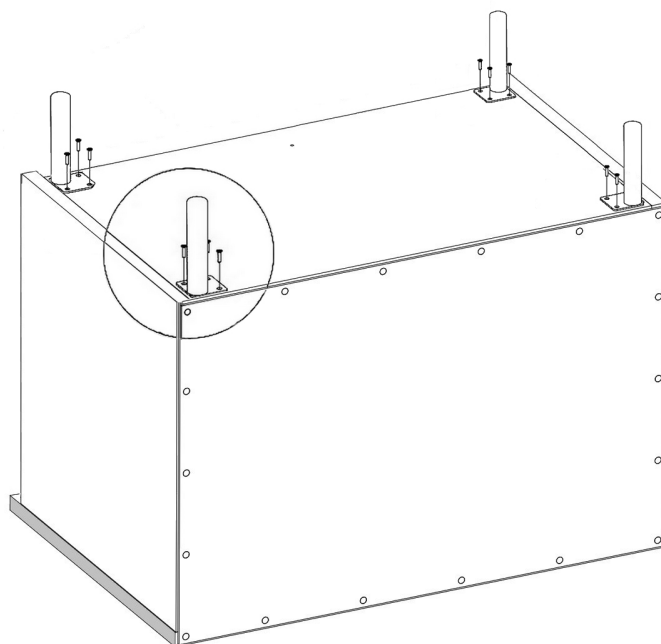
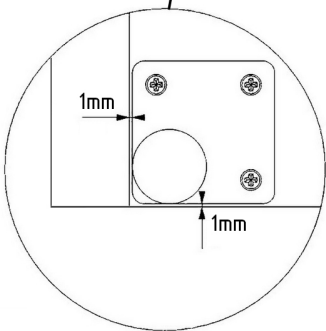
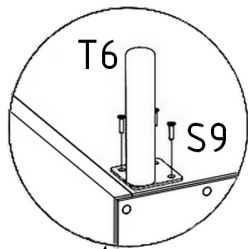
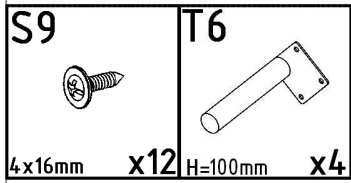
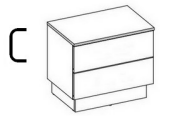
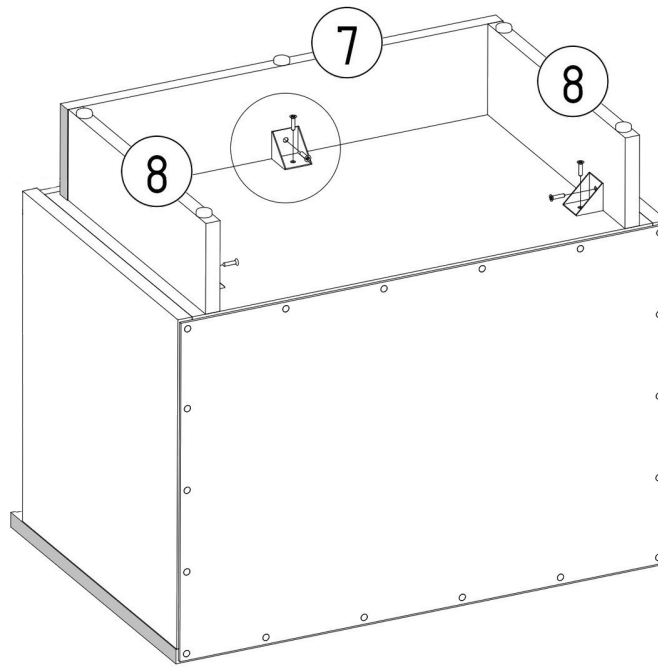
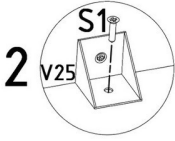
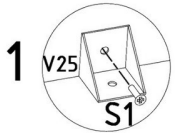
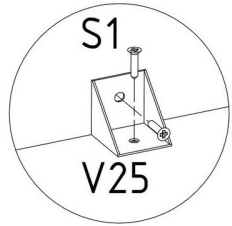
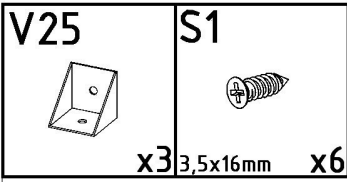



x2

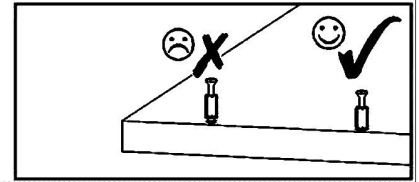
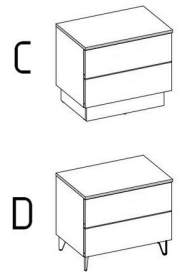
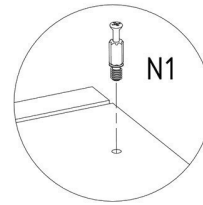
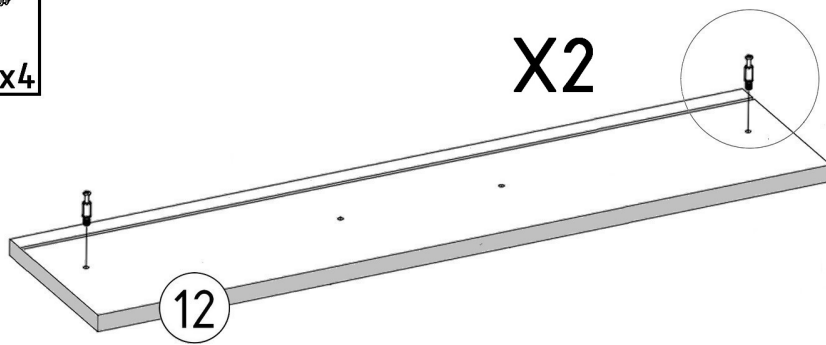







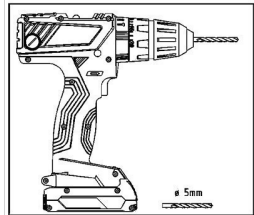
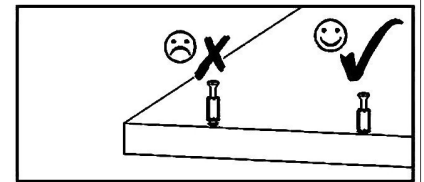
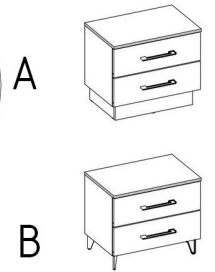
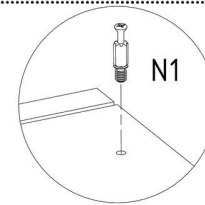
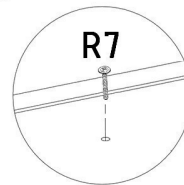
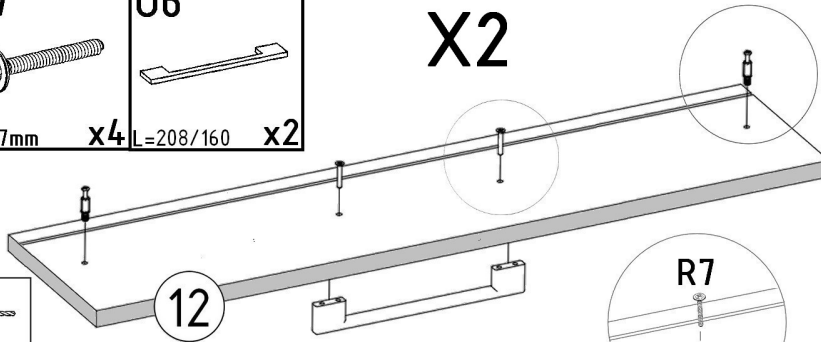





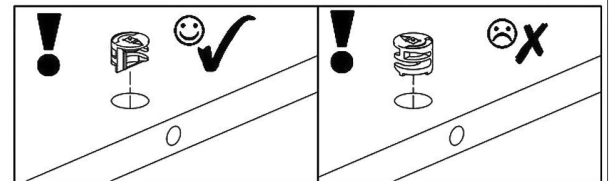
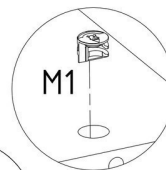
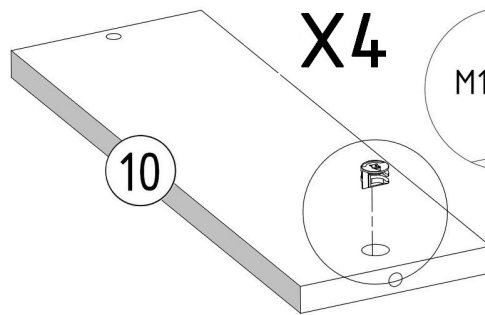
N1

 L=35mm **X4**

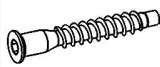
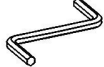


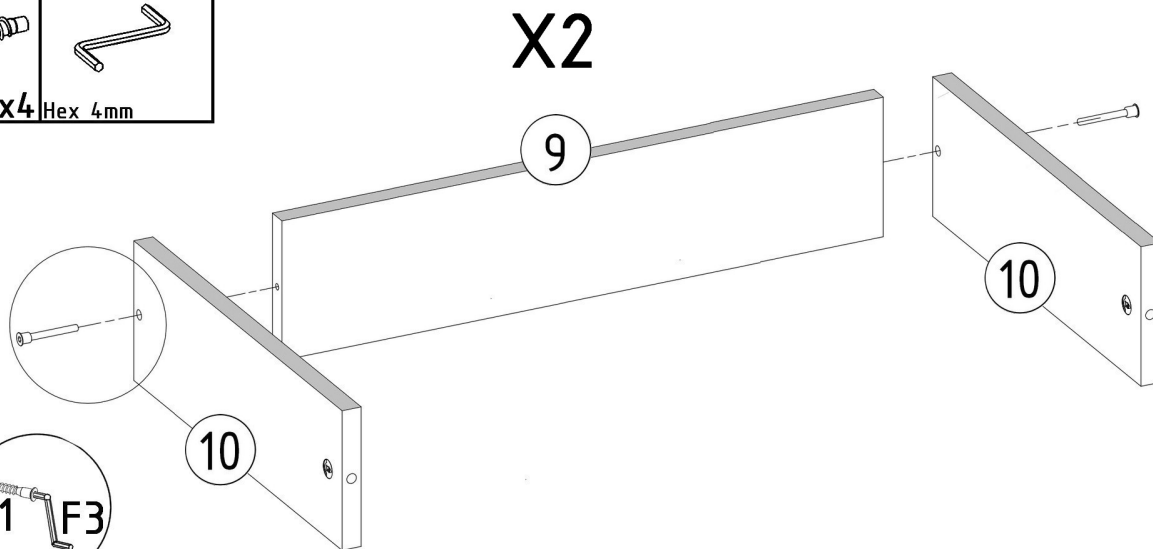
N1 **R7** **U6**
  
 L=35mm **X4** 4x27mm **X4** L=208/160 **X2**

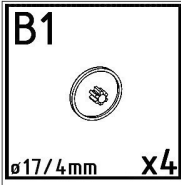


M1

 12x15mm **X4**

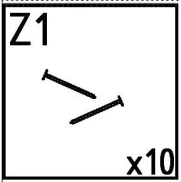
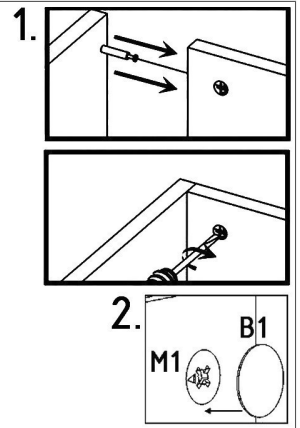
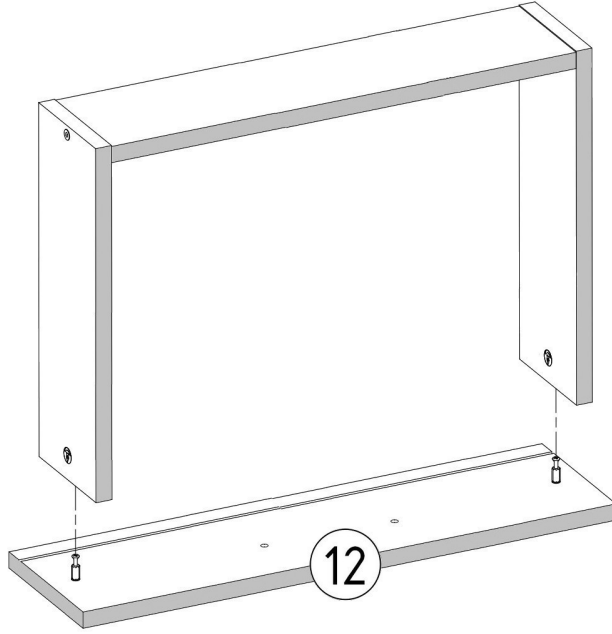


F1 **F3**
 
 7x50mm **X4** Hex 4mm

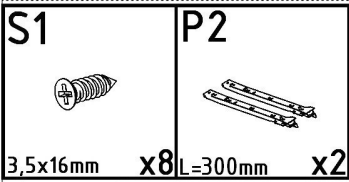
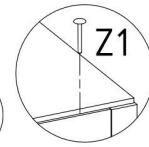
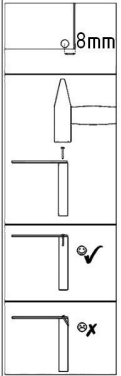
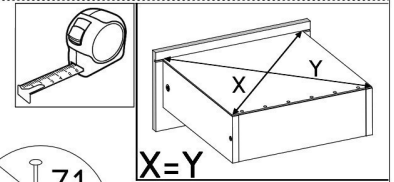
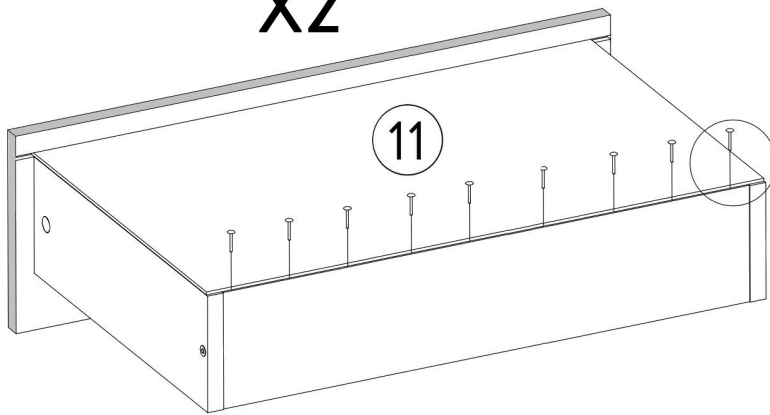




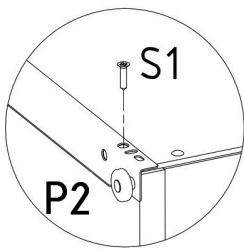
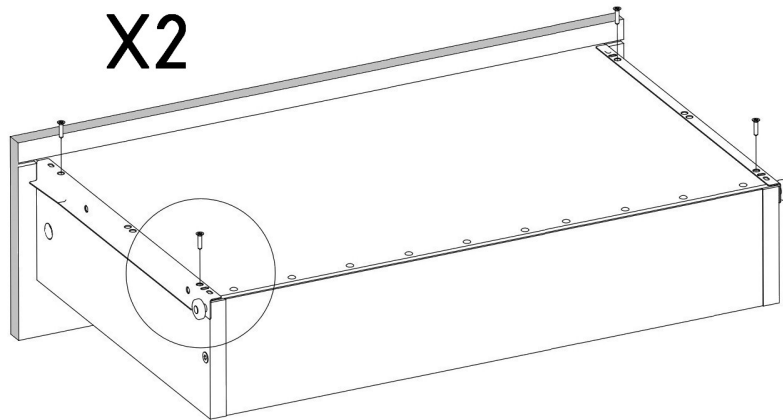
X2

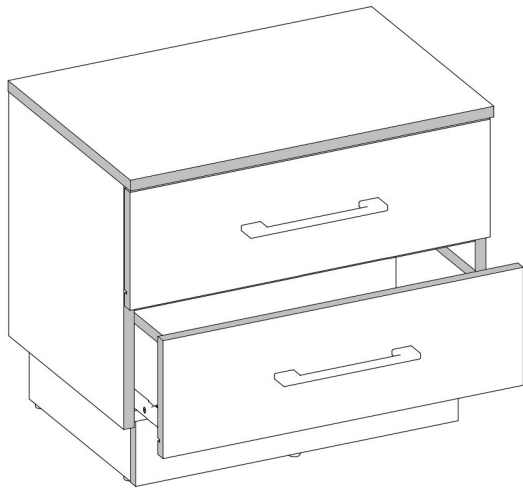


X2

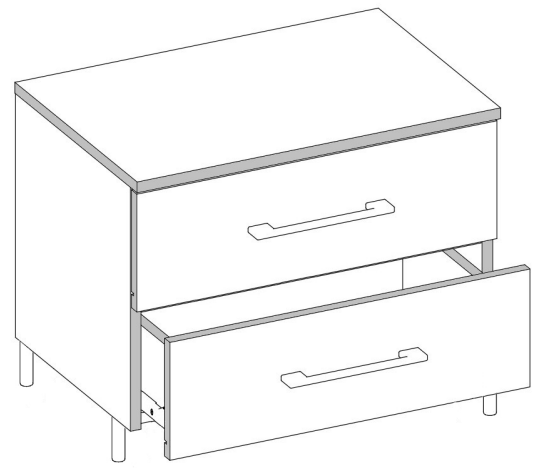


X2

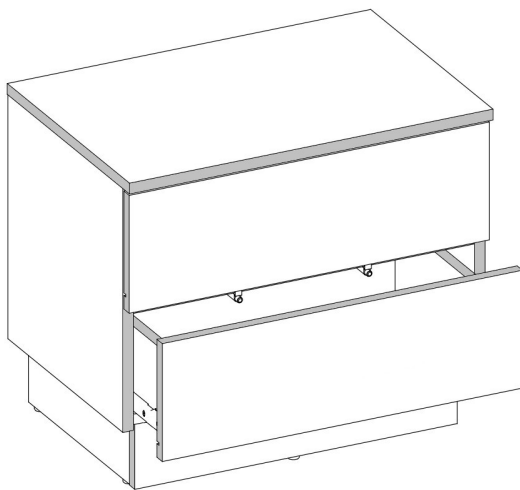




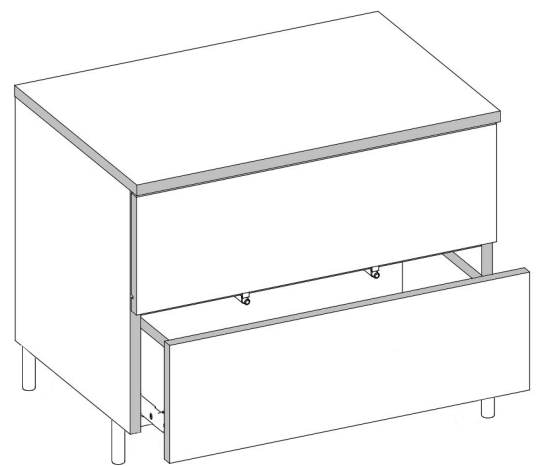
A



B



C



D