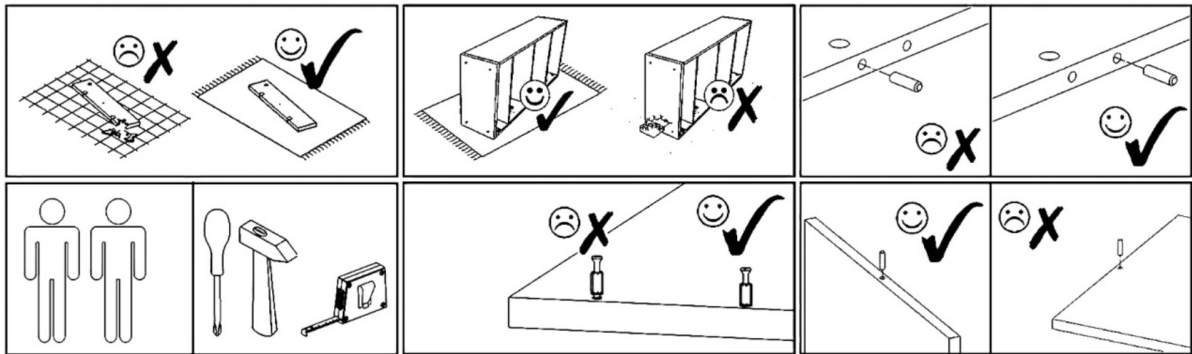
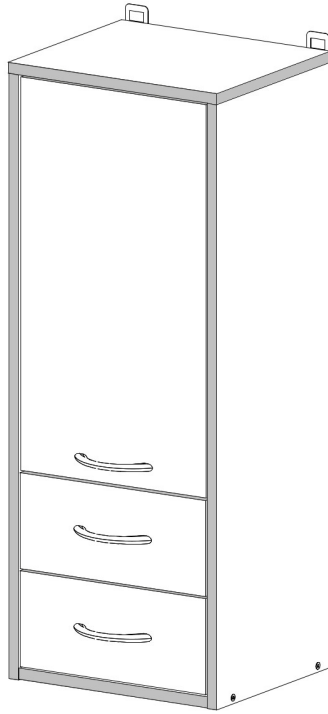

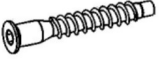
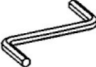
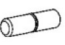



















NINA W1D2S

PRODUCTION DATE

PACKING CODE

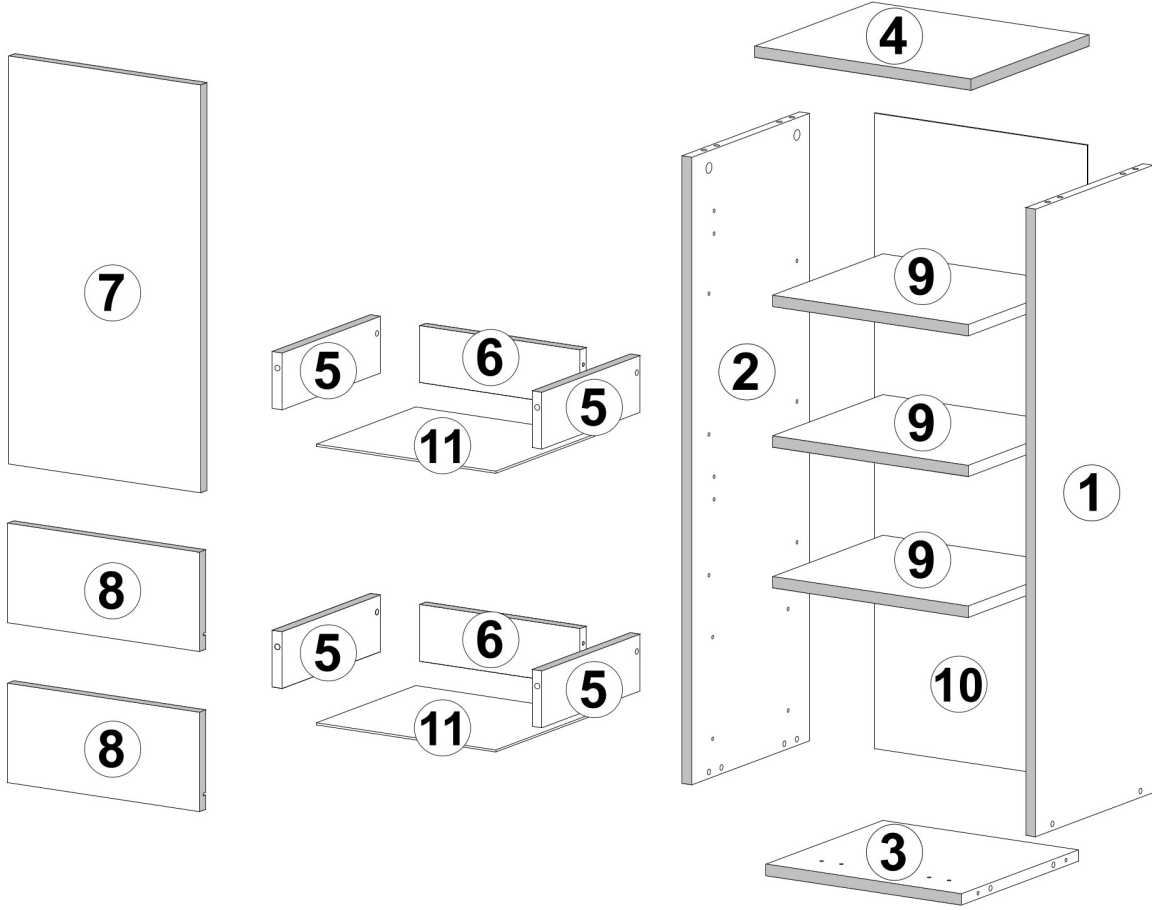


E1  8x30mm x8	F1  7x50mm x8	F3  Hex 4mm x1	V16  5x16mm x12	N1  L=35mm x8	M1  12x15mm x8	S2  4x27mm x6	U15  L=125mm x3
Z1  x50	A2  ZW x2	S1  3,5x16mm x12	S13  3x25mm x6	V28  x2	R1  6x8mm x8	P1  L=250mm x2	B1  B ø17/4mm x4
B2  Ant. ø12/4mm x4	B2  S/A ø12/4mm x4	B2  B ø12/4mm x4	B2  K ø12/4mm x4	V58  D=10mm x2			

NINA W1D2S

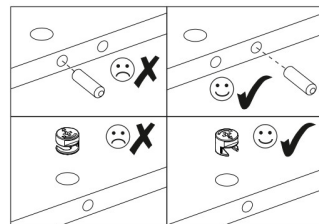
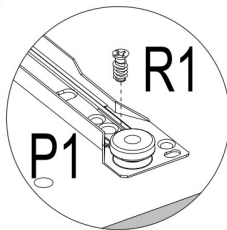
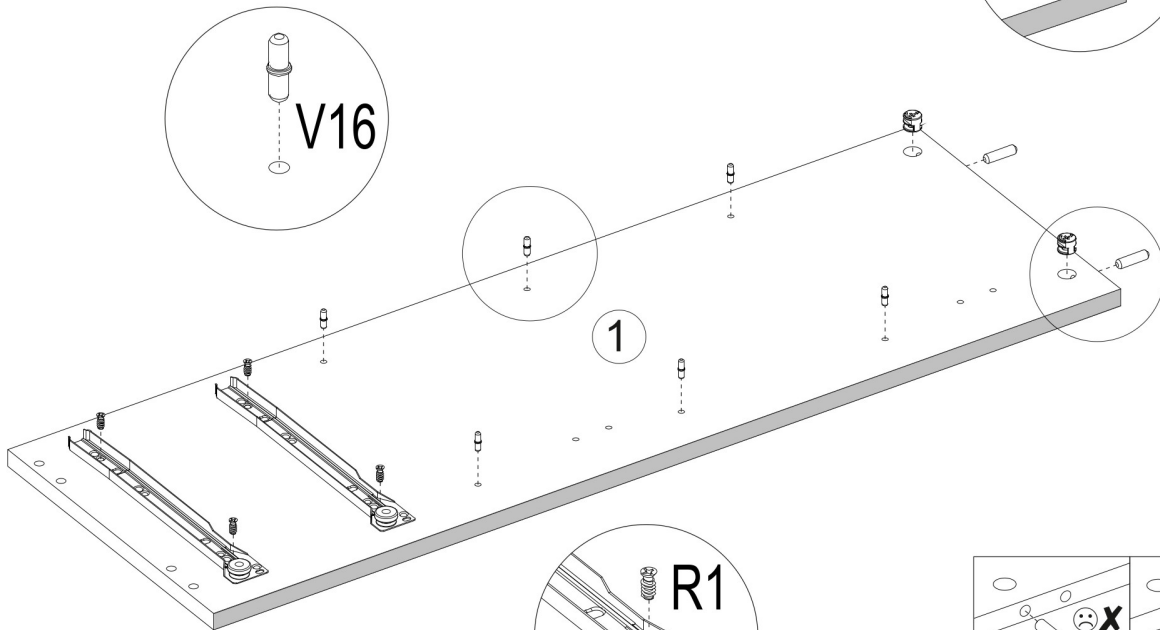
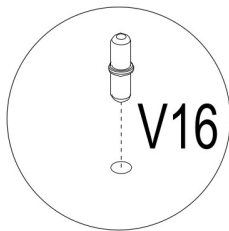
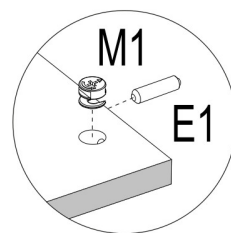
PRODUCTION DATE

PACKING CODE

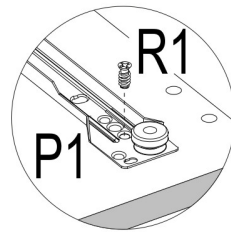
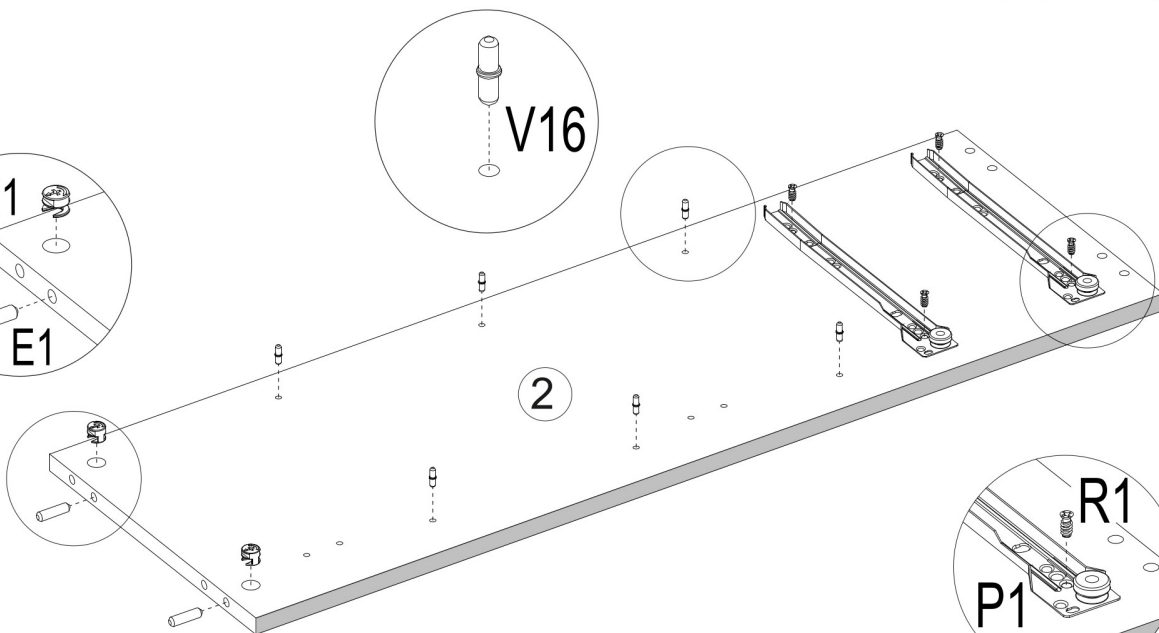
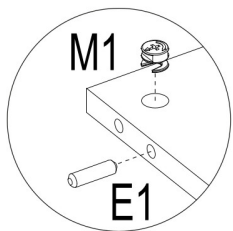
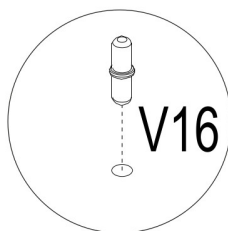
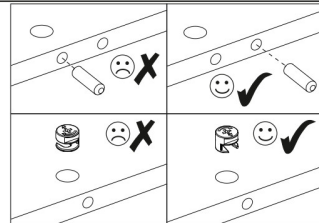


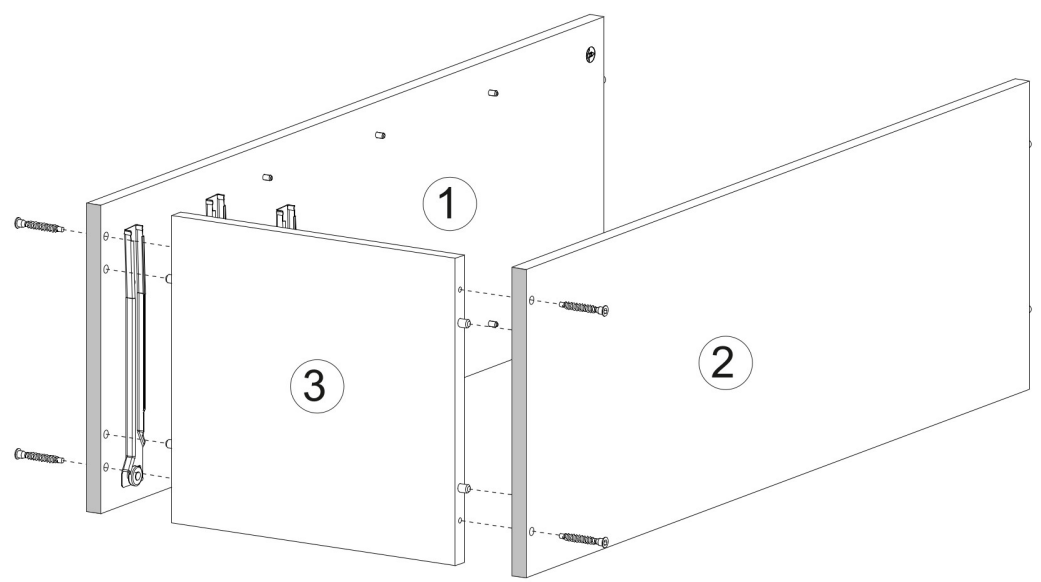
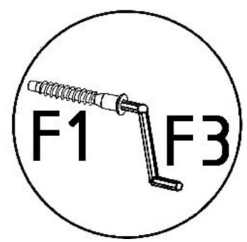
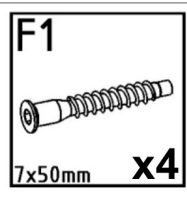
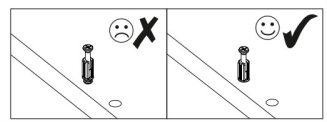
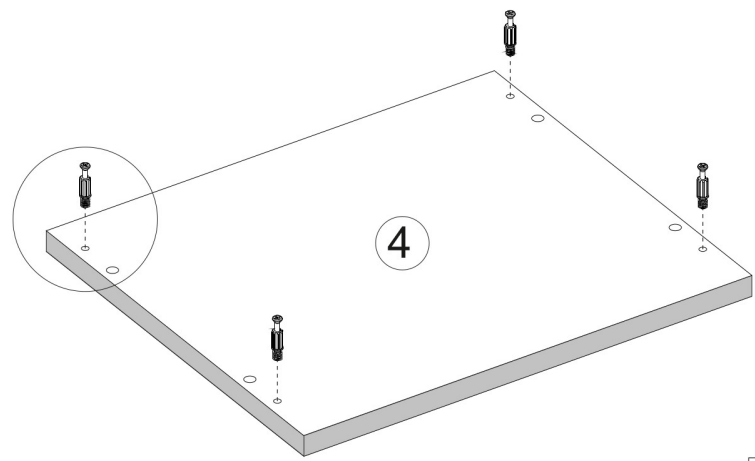
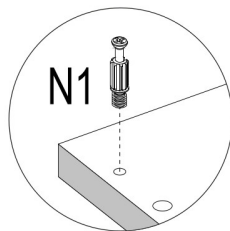
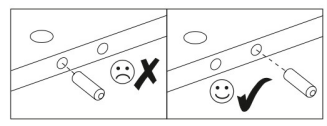
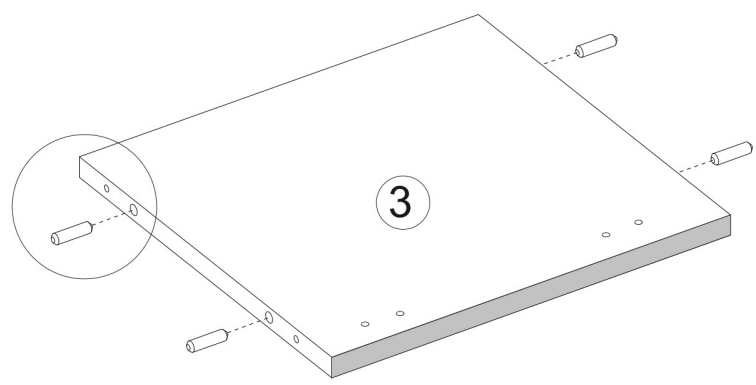
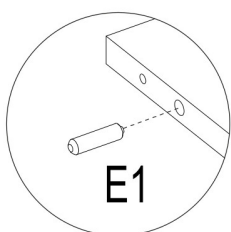
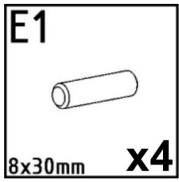
001942	1	1
001943	2	1
001936	3	1
001937	4	1
000009	5	4
001947	6	2
001944	7	1
001945	8	2
001941	9	3
001939	10	1
001946	11	2
ID	NUMBER	QUANTITY

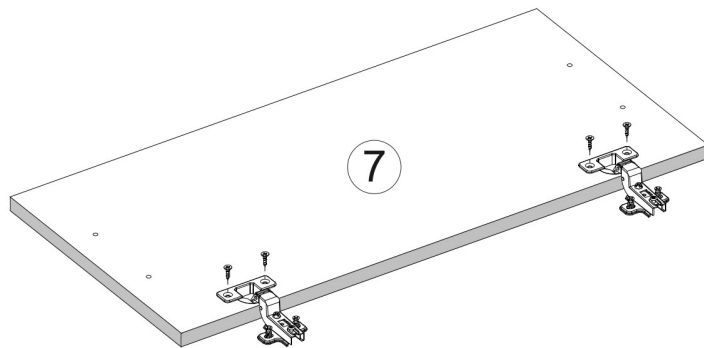
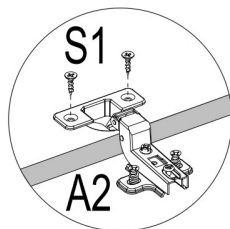
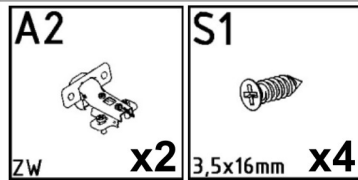
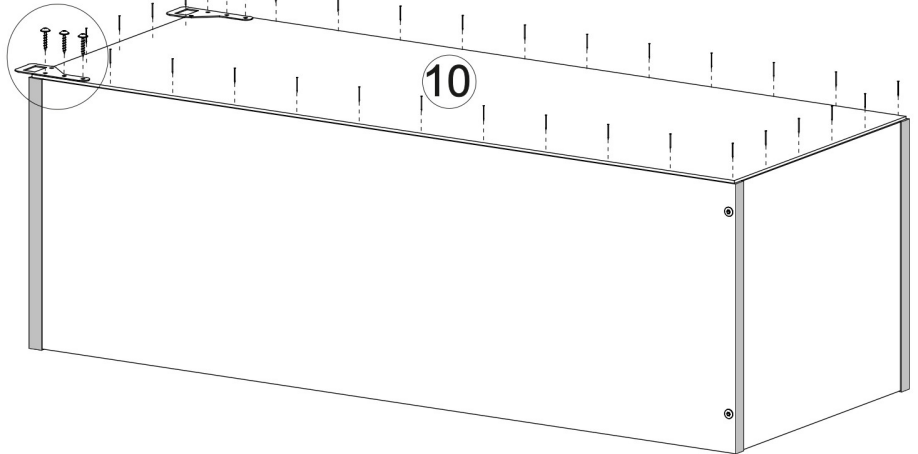
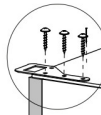
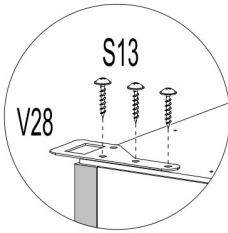
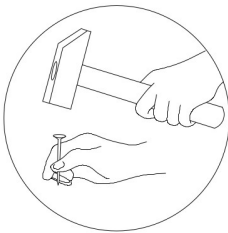
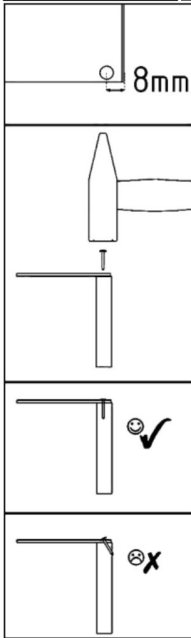
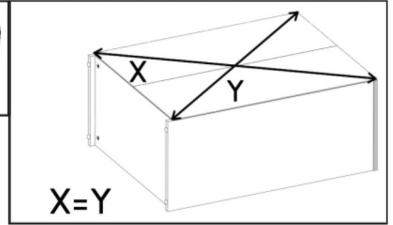
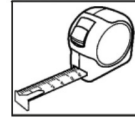
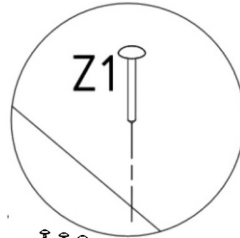
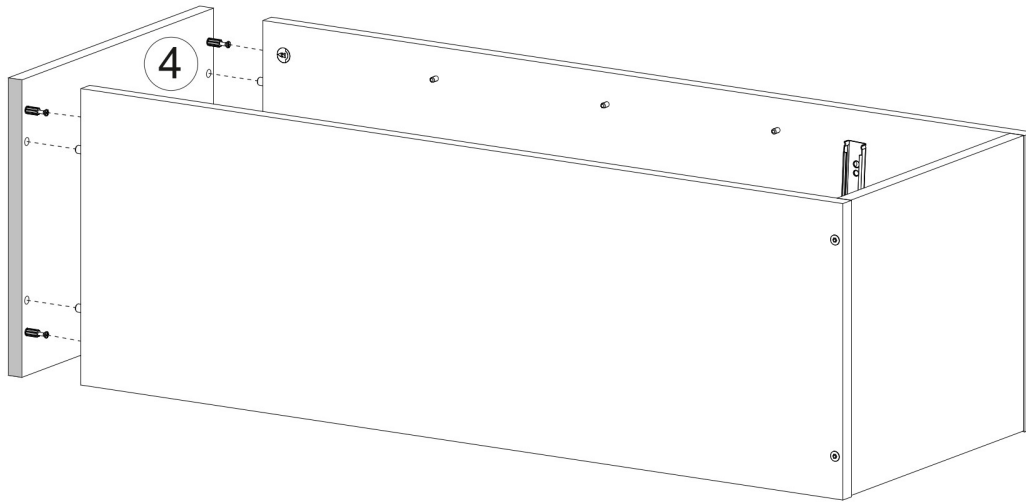
E1  8x30mm x2	V16  5x16mm x6	M1  12x15mm x2	R1  6x8mm x4	P1  L=250mm x2
--------------------------------------------------------------------------------------------------------------------	---------------------------------------------------------------------------------------------------------------------	---------------------------------------------------------------------------------------------------------------------	-------------------------------------------------------------------------------------------------------------------	---------------------------------------------------------------------------------------------------------------------

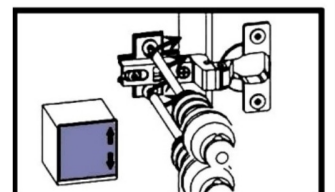
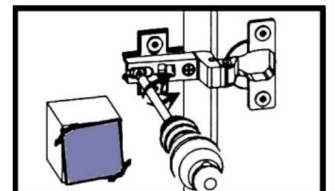
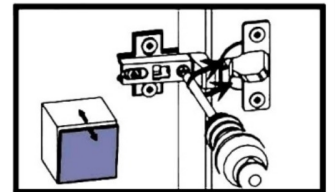
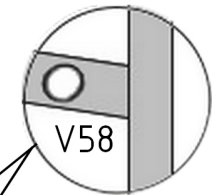
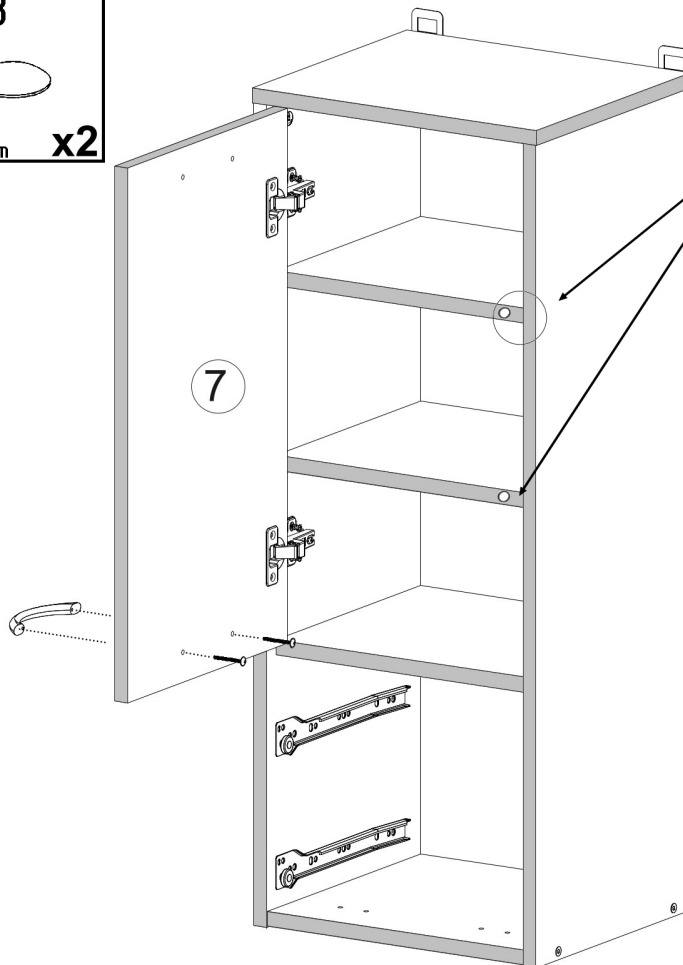
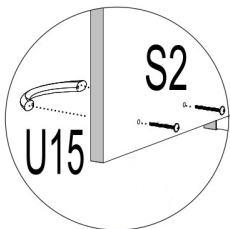
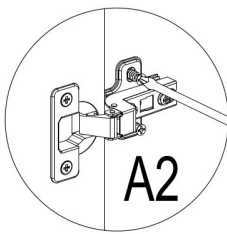
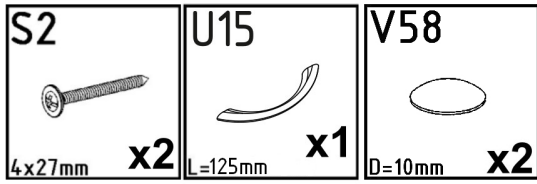
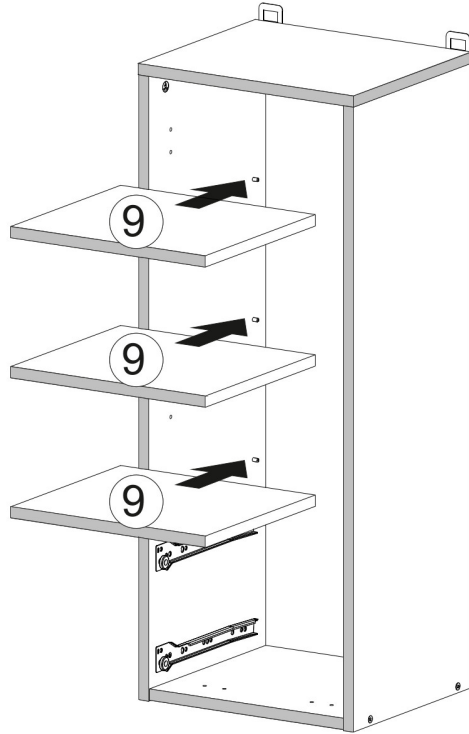
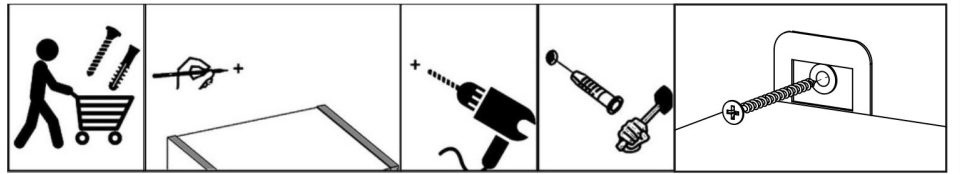


E1  8x30mm x2	V16  5x16mm x6	M1  12x15mm x2	R1  6x8mm x4	P1  L=250mm x2
----------------------------------------------------------------------------------------------------------------------	-----------------------------------------------------------------------------------------------------------------------	-----------------------------------------------------------------------------------------------------------------------	---------------------------------------------------------------------------------------------------------------------	-----------------------------------------------------------------------------------------------------------------------



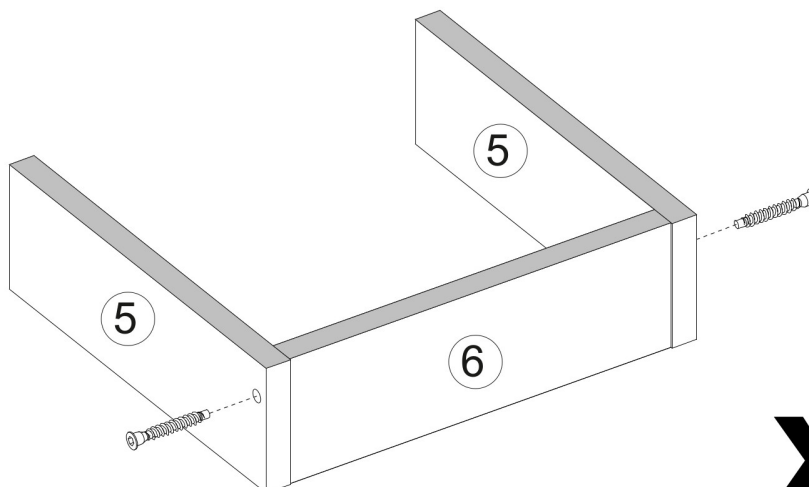
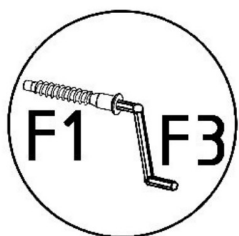
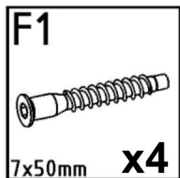
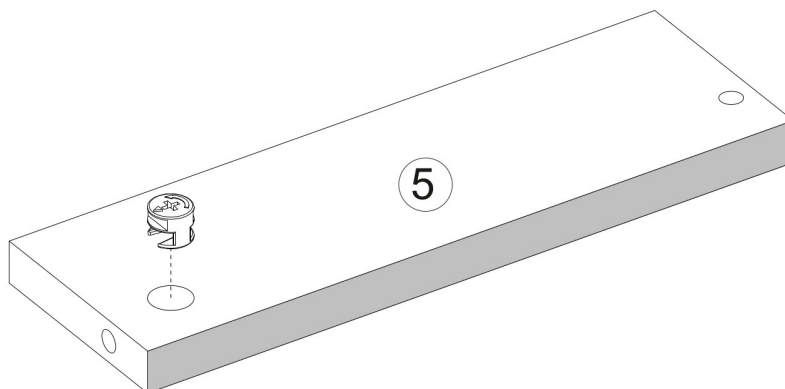
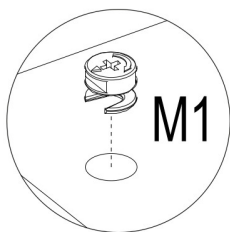




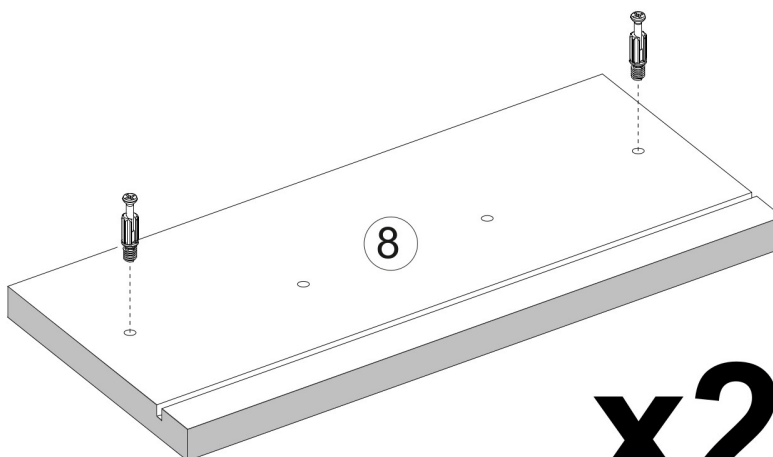
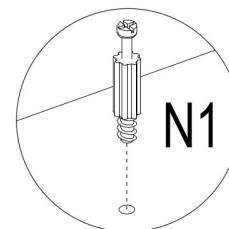




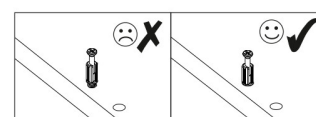
x4

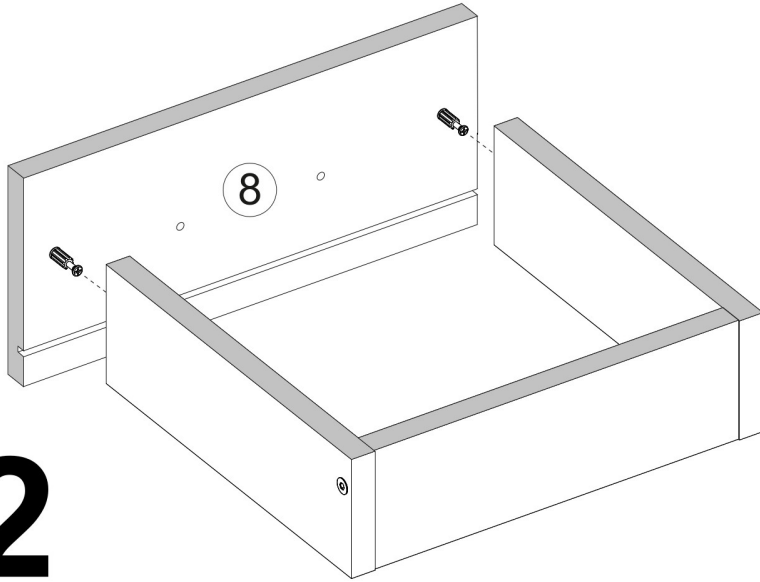


x2

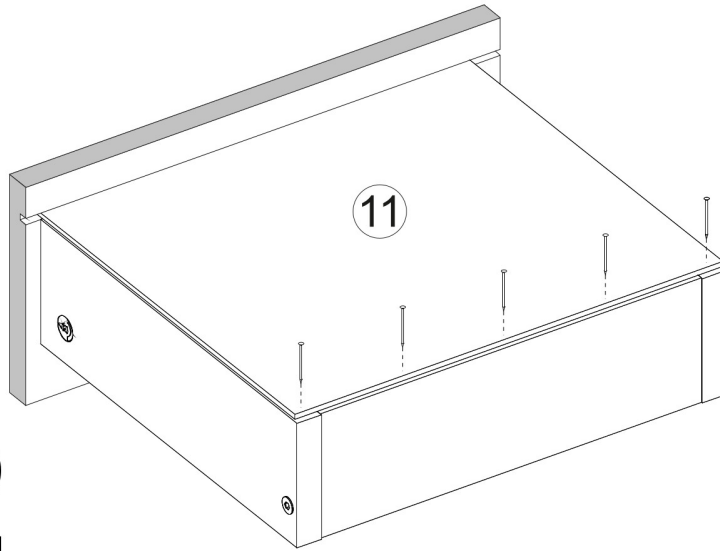
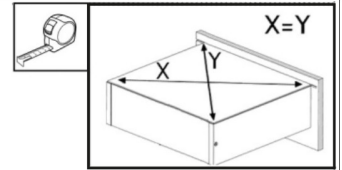
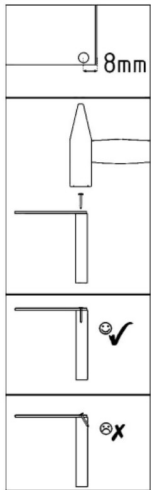
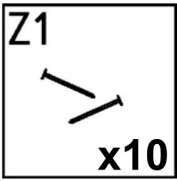
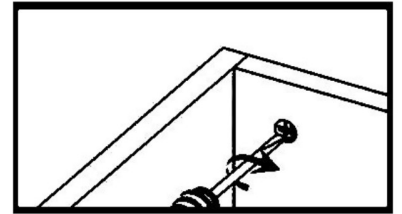
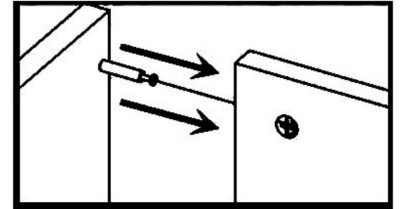


x2

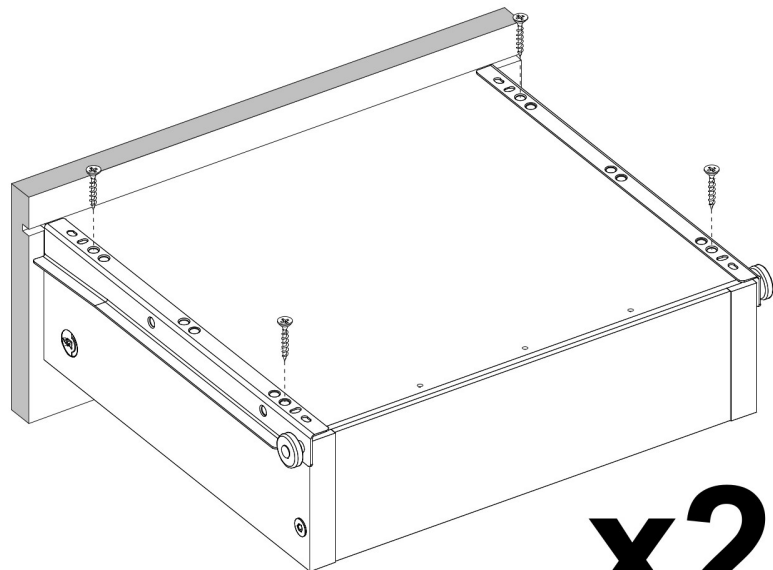
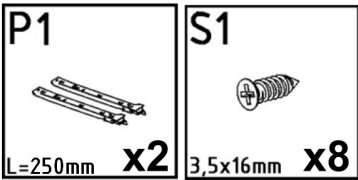
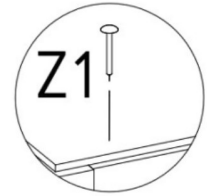




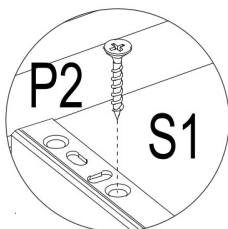
x2

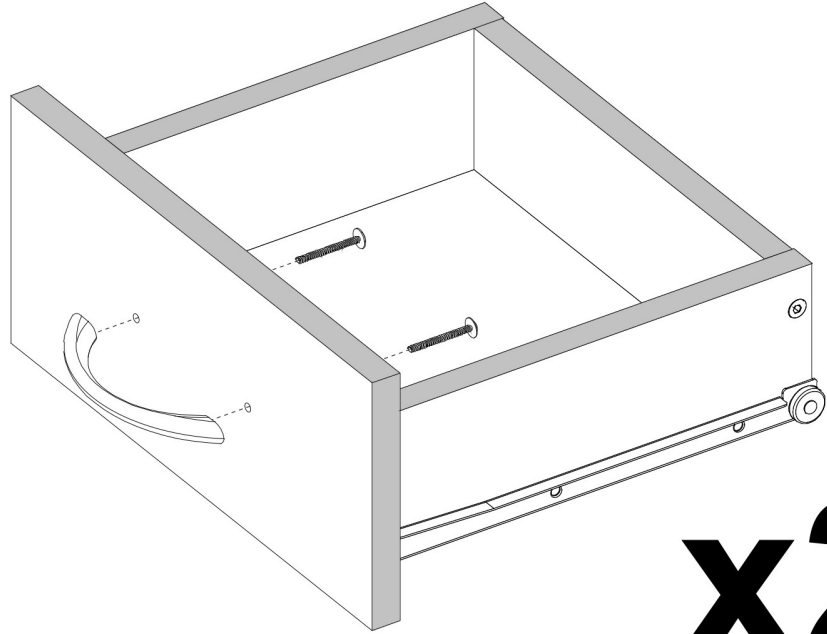
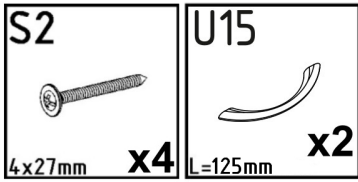


x2



x2





x2

