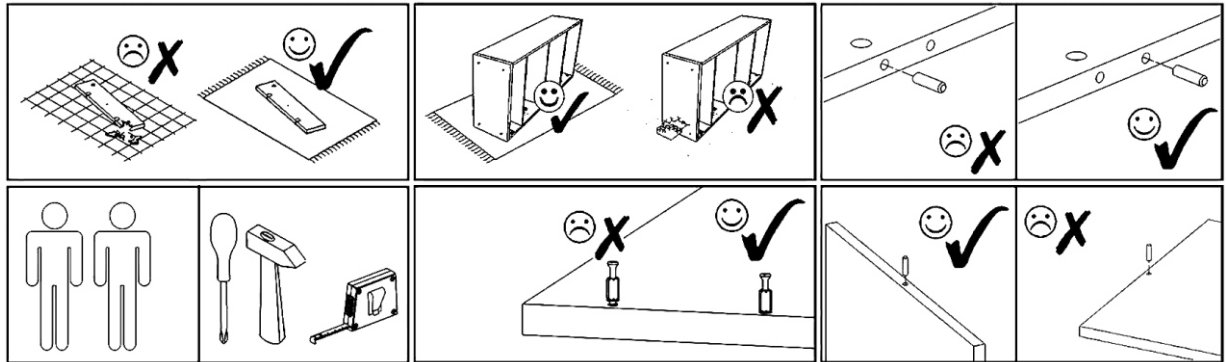

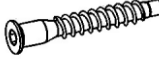
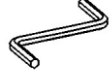







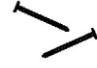






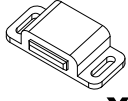
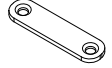


ALEX

PRODUCTION DATE

PACKING CODE

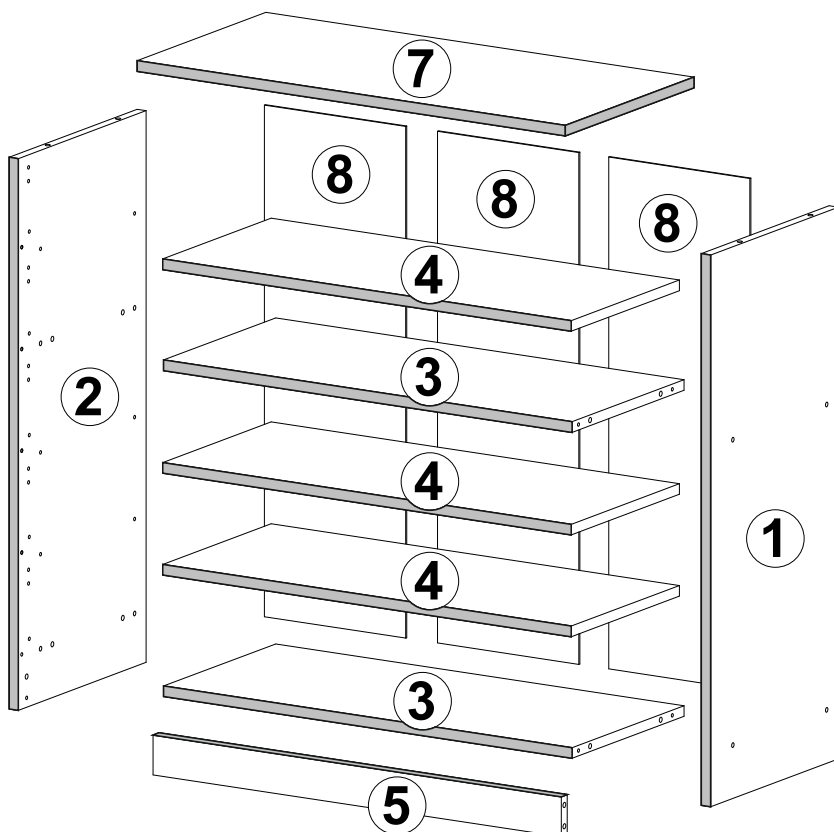
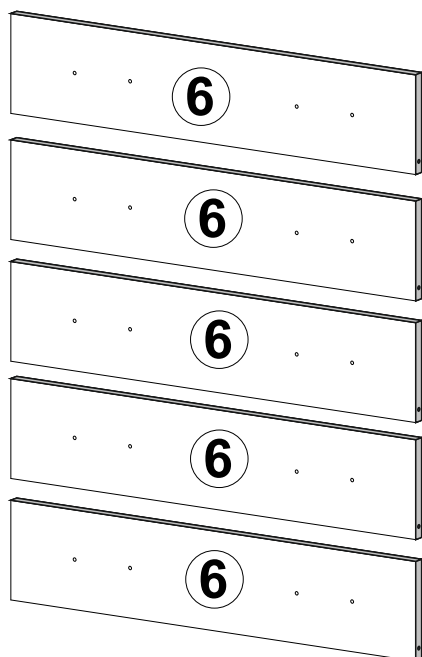


| | | | | | | | |
|---|--|---|--|--|---|--|---|
| E1  8x30mm x14 | F1  7x50mm x8 | F3  Hex 4mm x1 | V16  5x16mm x32 | N1  L=35mm x2 | M1  12x15mm x2 | T1  x5 | U5  L=137/96mm x10 |
| R7  4x27mm x20 | V12  x1 | Z1  x50 | B2  Ant ø12/4mm x8 | B2  S/A ø12/4mm x8 | B2  B ø12/4mm x8 | B2  K ø12/4mm x8 | S1  3,5x16mm x20 |
| V13  x1 | V65  x5 | V64  x5 | | | | | |


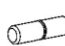



ALEX

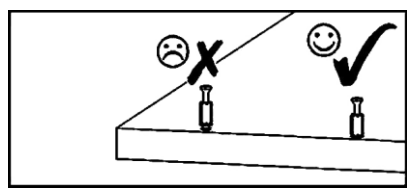
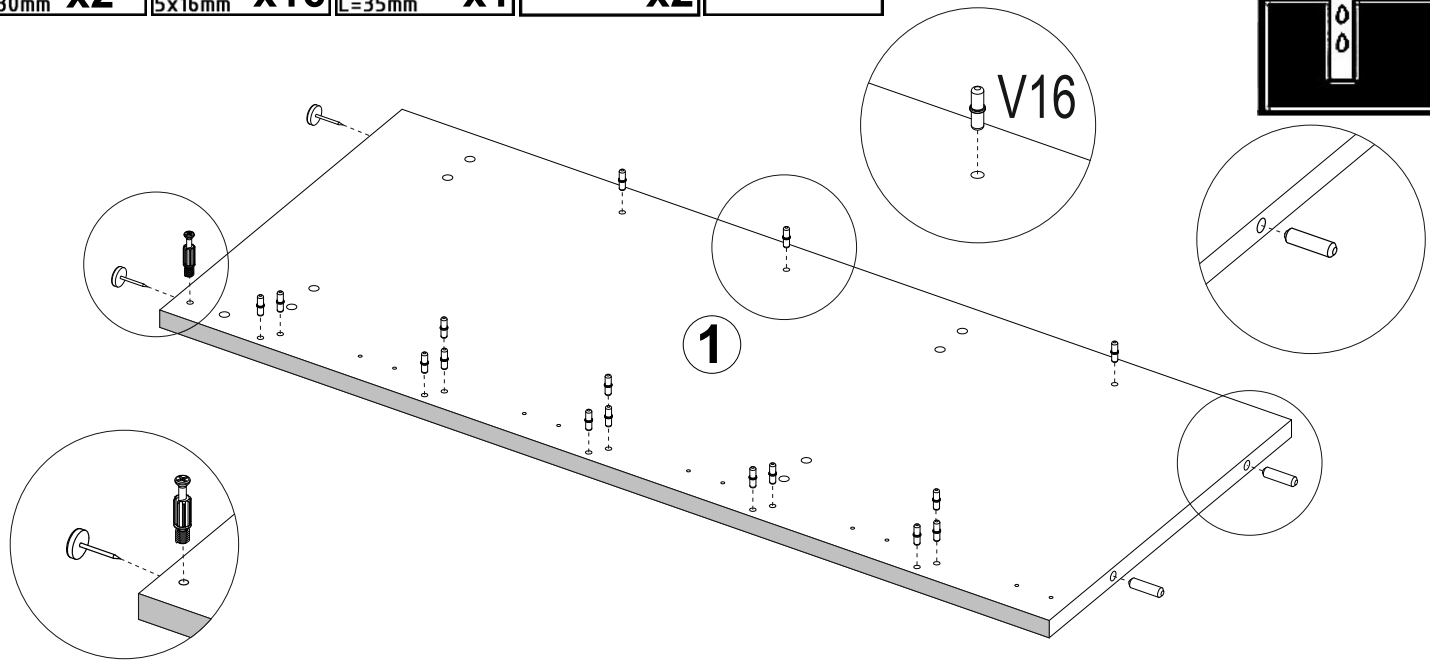
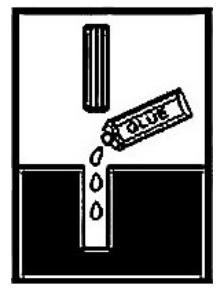
PRODUCTION DATE






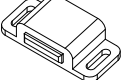

PACKING CODE

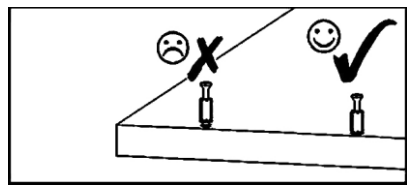
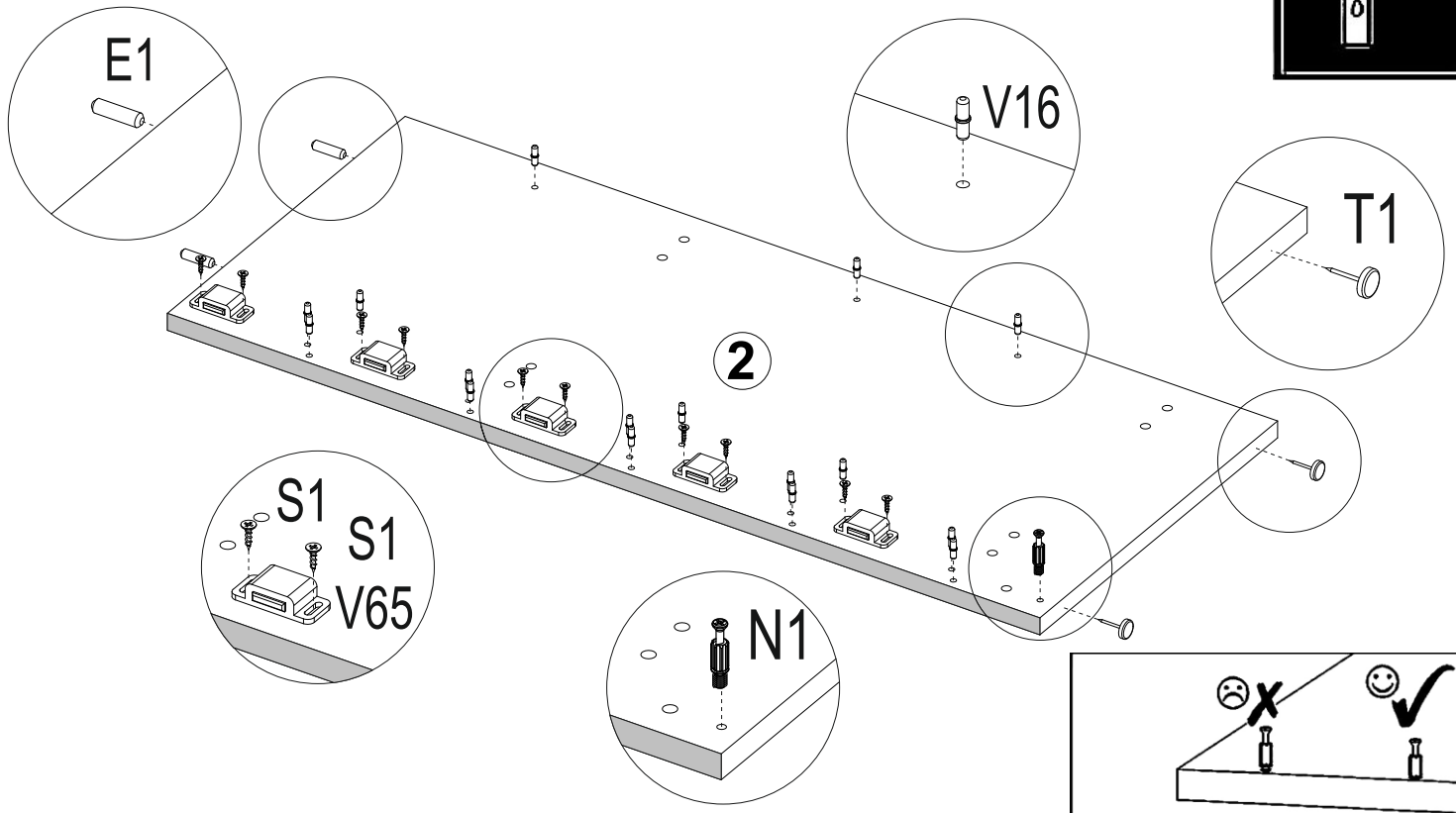
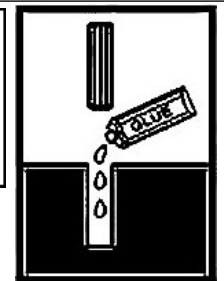


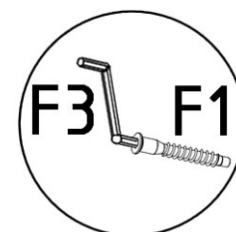
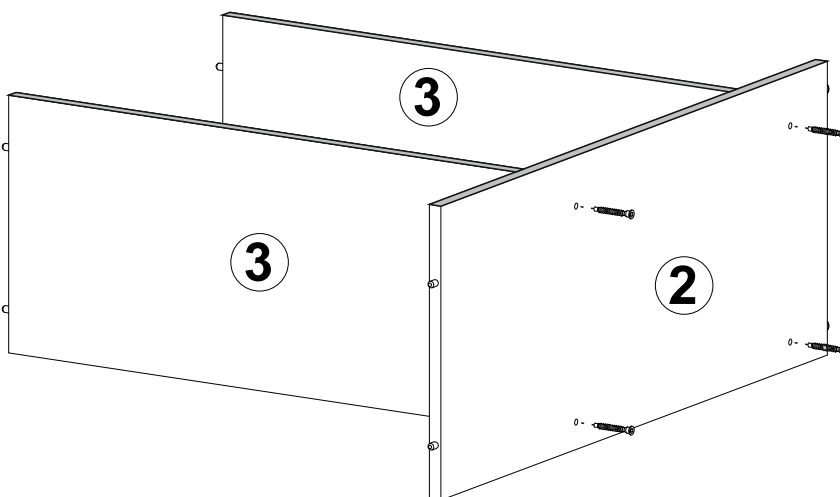
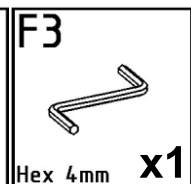
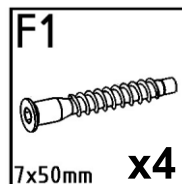
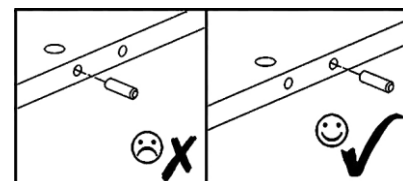
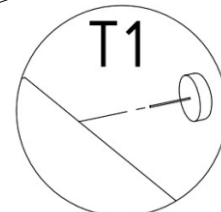
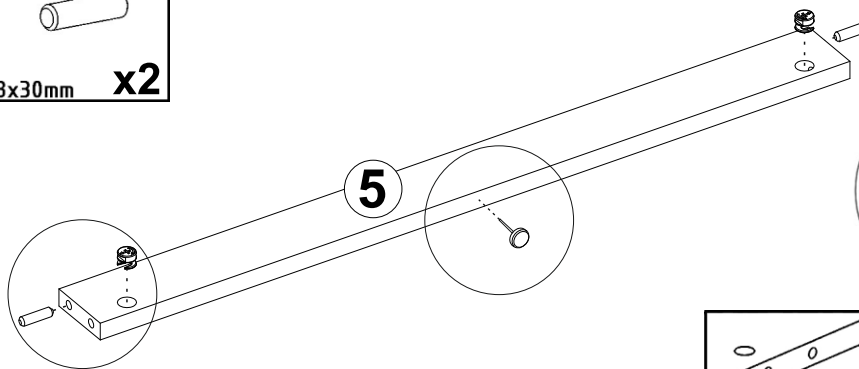
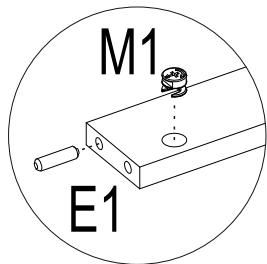
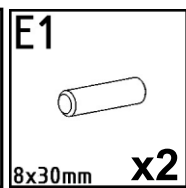
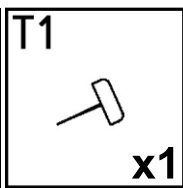
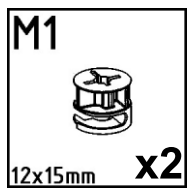
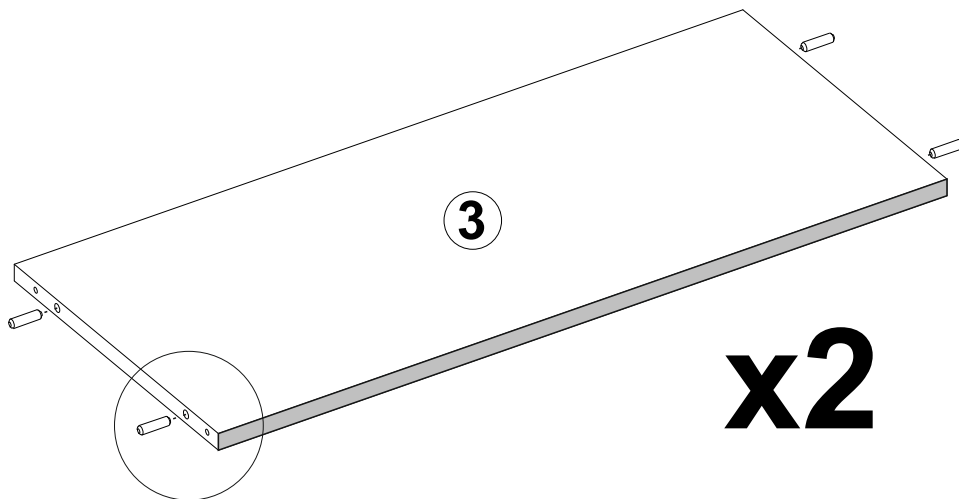
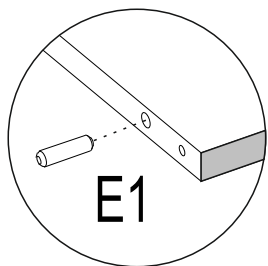
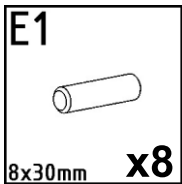
| | | |
|-----------|---------------|-----------------|
| 001865 | 1 | 1 |
| 001864 | 2 | 1 |
| 001867 | 3 | 2 |
| 001868 | 4 | 3 |
| 000465 | 5 | 1 |
| 001869 | 6 | 5 |
| 001866 | 7 | 1 |
| 001870 | 8 | 3 |
| ID | NUMBER | QUANTITY |

| | | | | |
|---|--|--|---|---|
| E1  8x30mm x2 | V16  5x16mm x16 | N1  L=35mm x1 | T1  x2 | V12  |
|---|--|--|---|---|

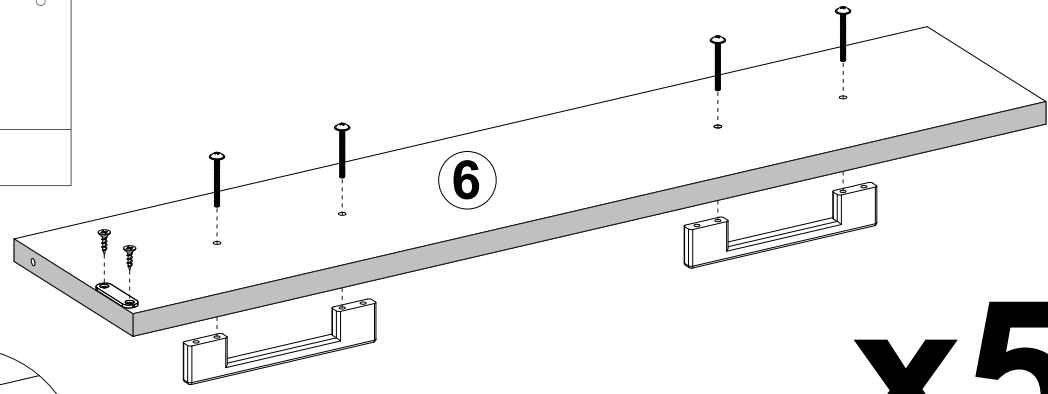
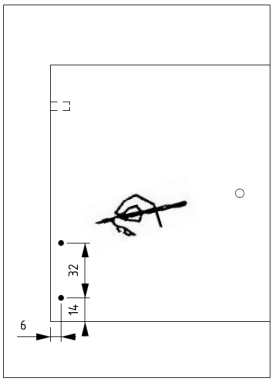
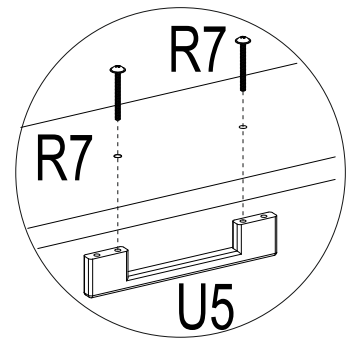


| | | | | | | |
|---|--|--|---|---|---|---|
| E1  8x30mm x2 | V16  5x16mm x16 | N1  L=35mm x1 | T1  x2 | V12  | V65  x5 | S1  3,5x16mm x10 |
|---|--|--|---|---|---|---|

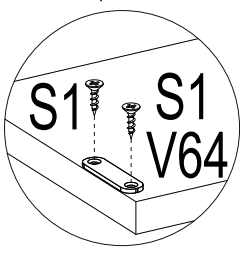




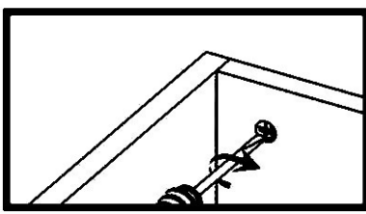
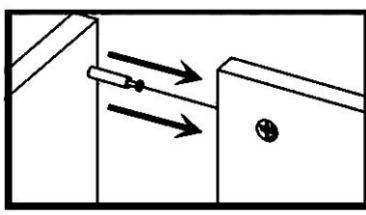
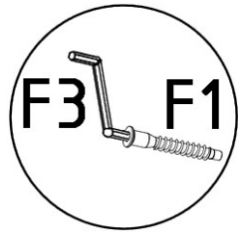
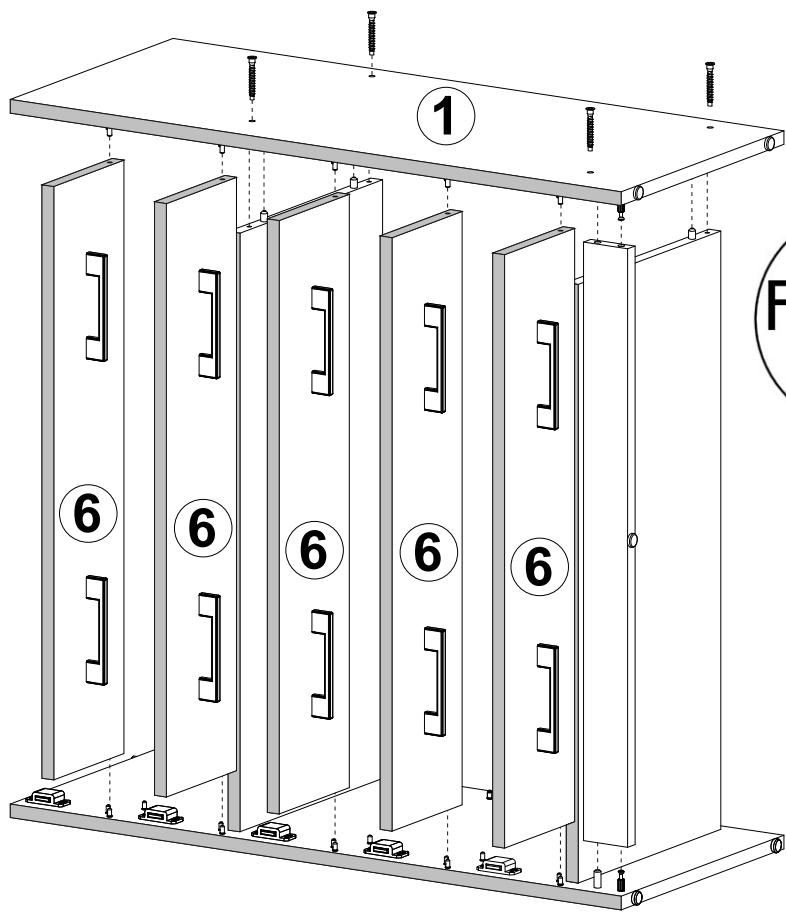
| | | | |
|--|---------------------------------------|-----------------------------|---|
| U5 L= 137/96mm x10 | R7 4x27mm x20 | V64 x5 | S1 3,5x16mm x10 |
|--|---------------------------------------|-----------------------------|---|

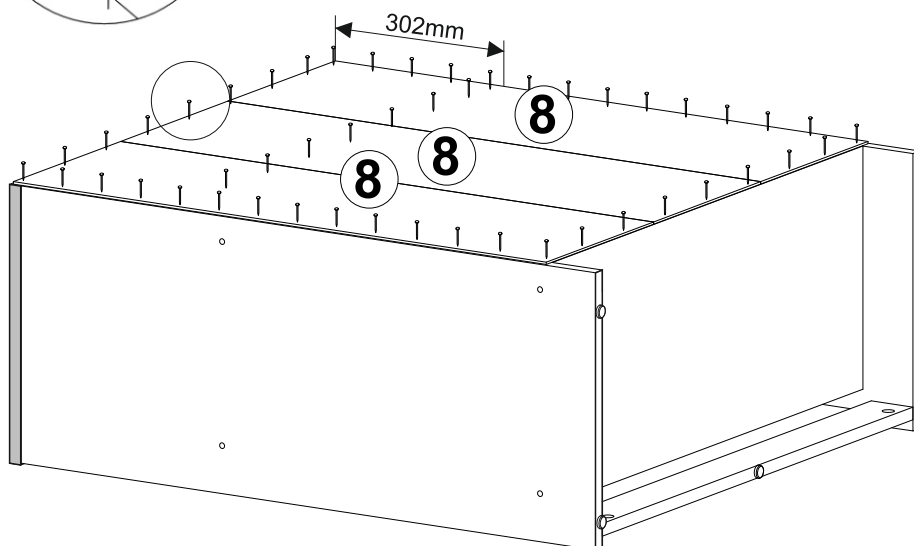
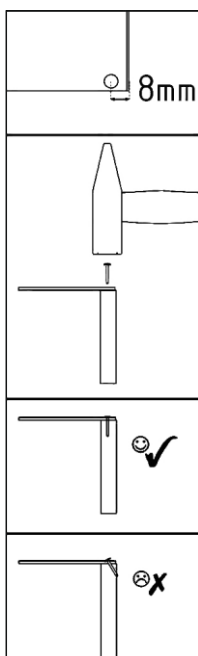
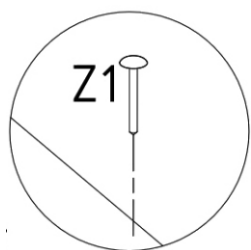
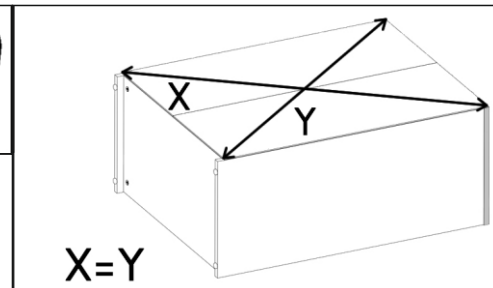
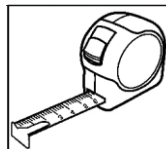
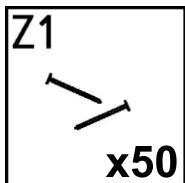
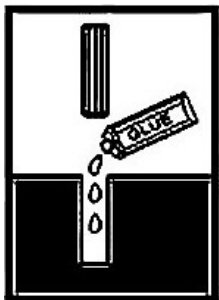


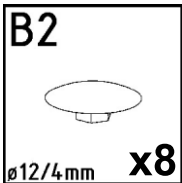
x5



| | |
|--------------------------------------|---------------------------------------|
| F1 7x50mm x4 | F3 Hex 4mm x1 |
|--------------------------------------|---------------------------------------|







x3

