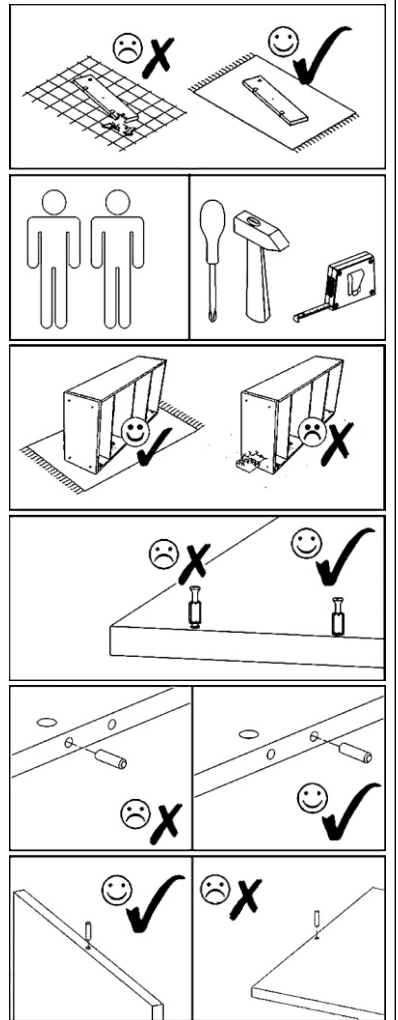
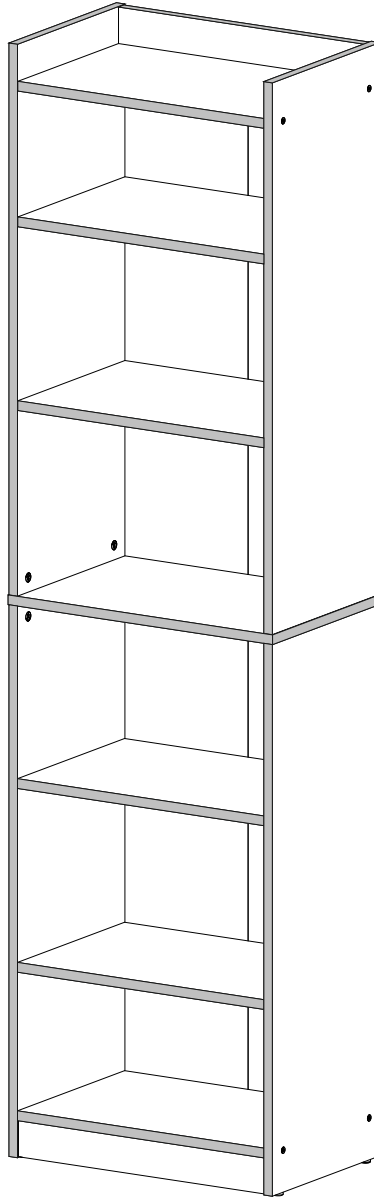





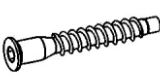












RIMINI

PRODUCTION DATE

PACKING CODE

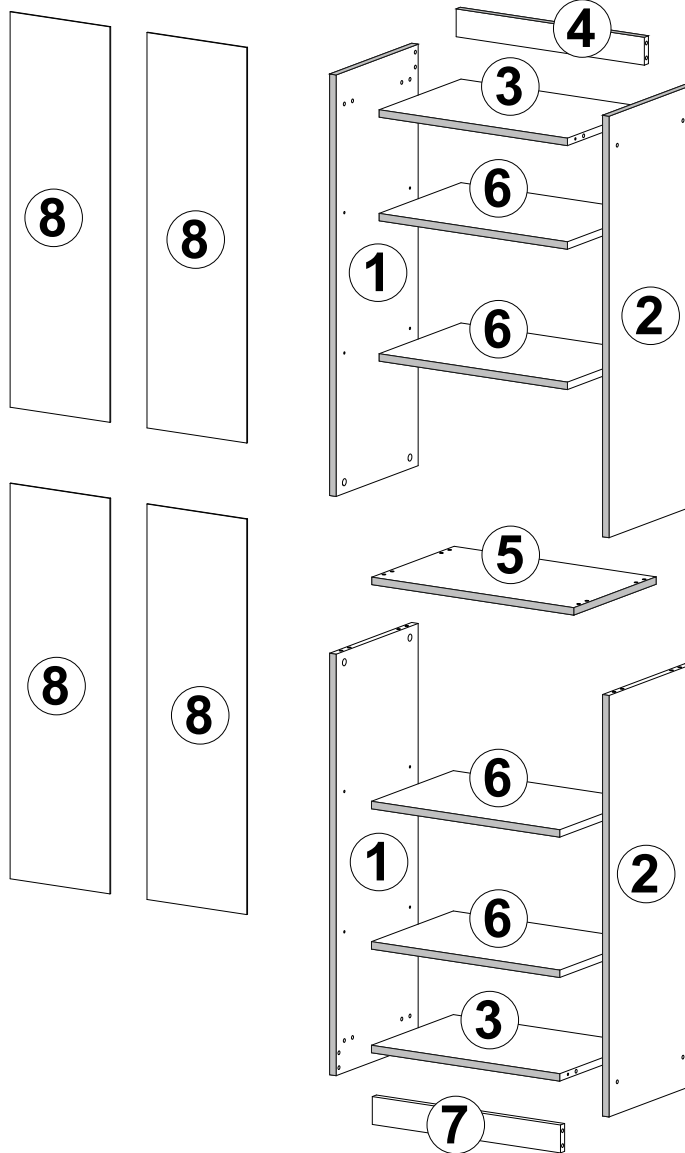


<p>E1</p>  <p>8x30mm x16</p>	<p>F3</p>  <p>Hex 4mm x1</p>	<p>M1</p>  <p>12x15mm x8</p>	<p>T1</p>  <p>x4</p>	<p>V16</p>  <p>5x16mm x16</p>	<p>F1</p>  <p>7x50mm x8</p>	<p>V13</p>  <p>x1</p>	<p>Z1</p>  <p>x60</p>
<p>N4</p>  <p>L=62mm x4</p>	<p>E3</p>  <p>8x50mm x4</p>	<p>V15</p>  <p>x5</p>	<p>B1</p>  <p>B ø17/4mm x8</p>	<p>B1</p>  <p>S/A ø17/4mm x8</p>	<p>B2</p>  <p>S/A ø12/4mm x8</p>	<p>B2</p>  <p>B ø12/4mm x8</p>	<p>V32</p>  <p>L=828mm x2</p>





RIMINI

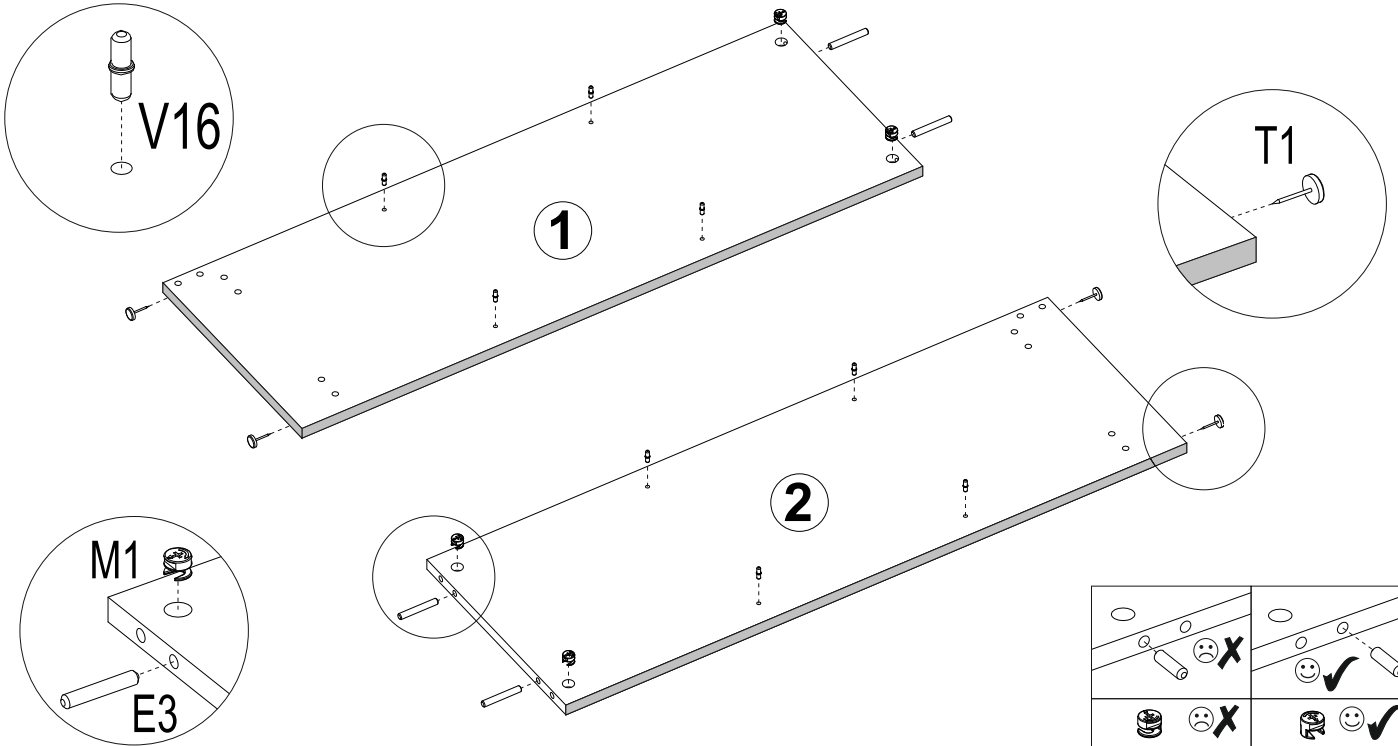
PRODUCTION DATE

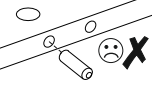
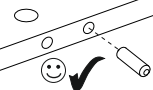


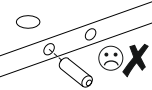
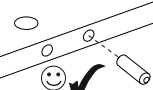


PACKING CODE





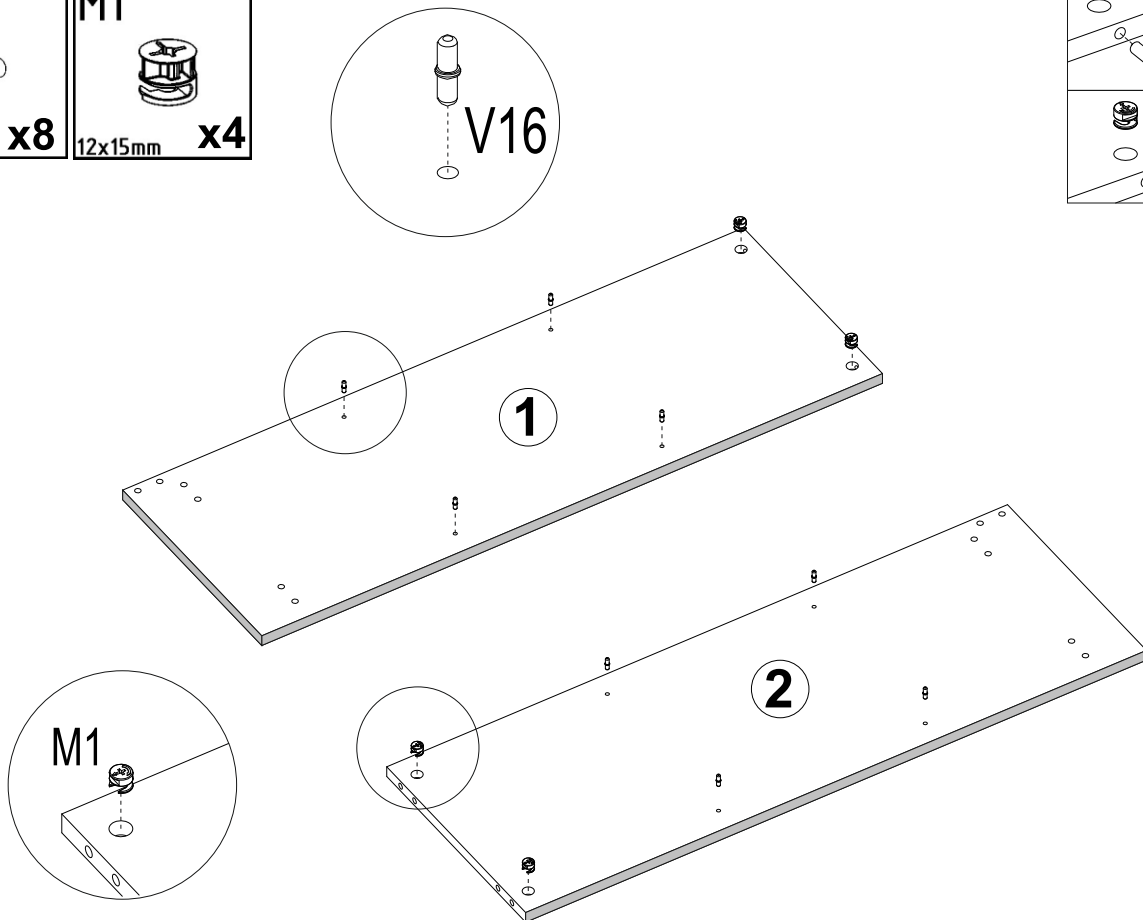
002107	1	2
002106	2	2
002110	3	2
002111	4	1
002108	5	1
002109	6	4
002111	7	1
002112	8	4
ID	NUMBER	QUANTITY

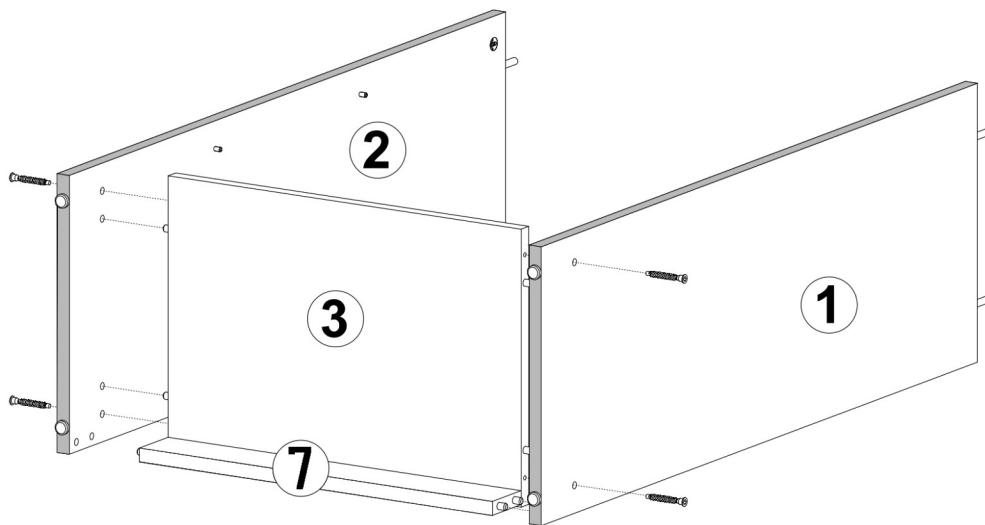
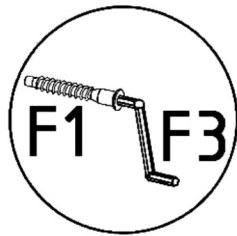
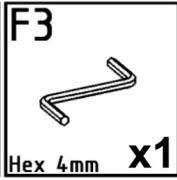
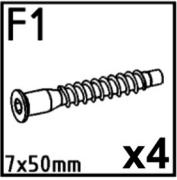
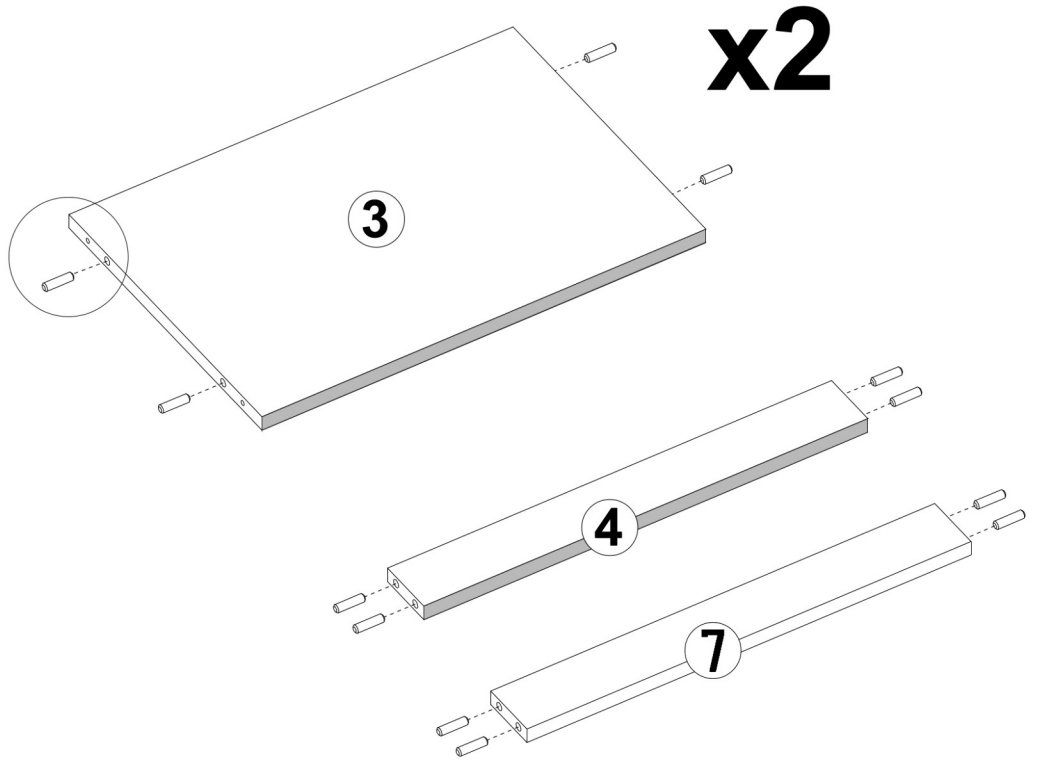
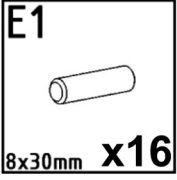
E3  8x50mm x4	V16  5x16mm x8	T1  x4	M1  12x15mm x4
---	---	---	---

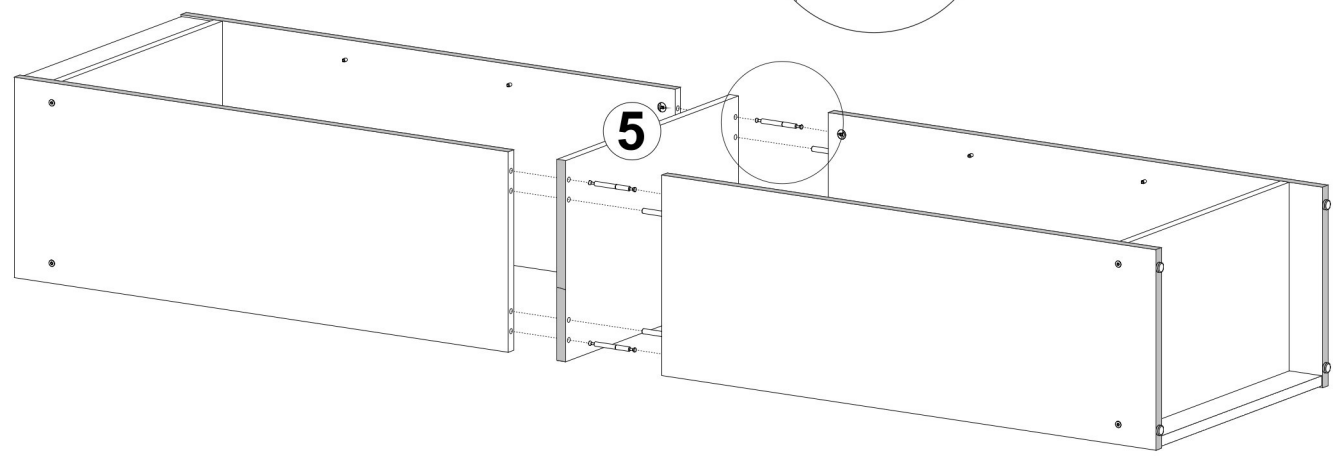
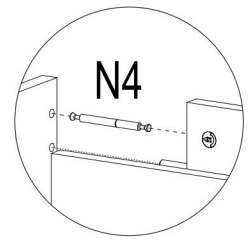
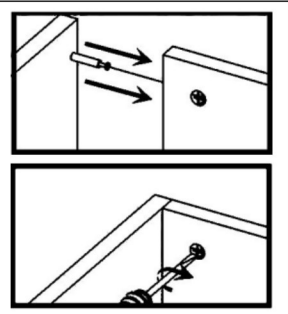
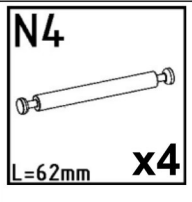
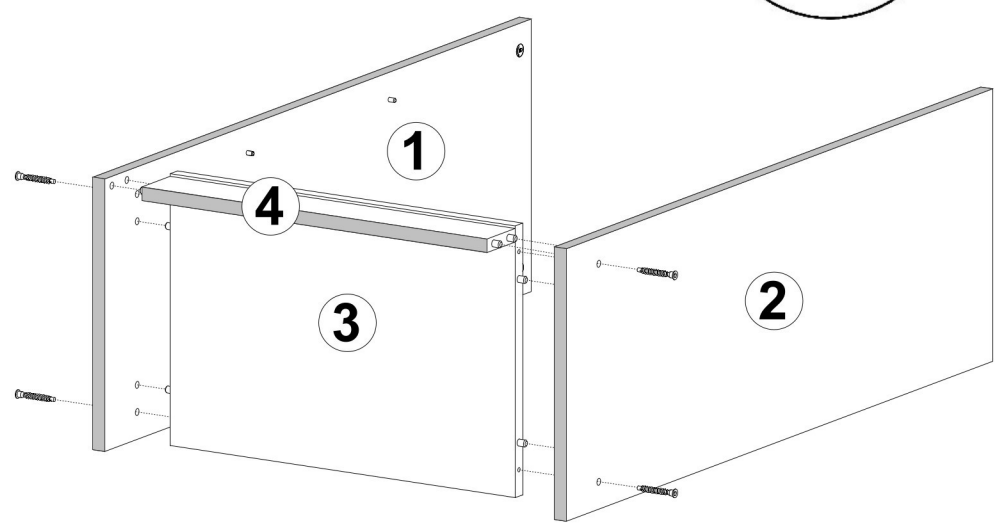
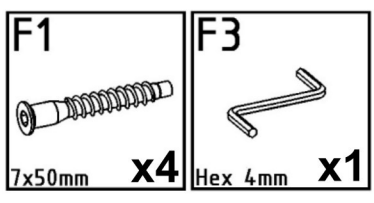


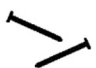


	
	
	
	

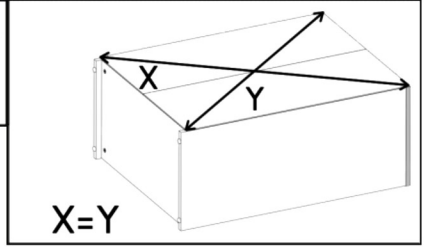
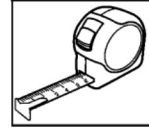
V16  5x16mm x8	M1  12x15mm x4
---	---


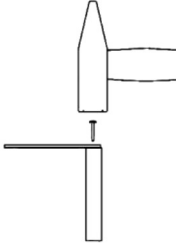




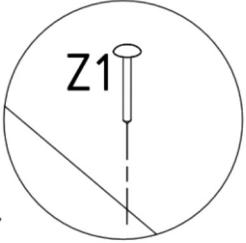
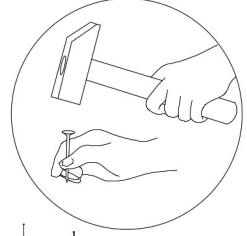
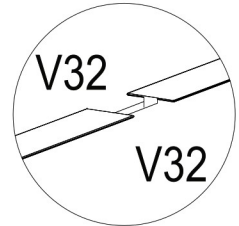
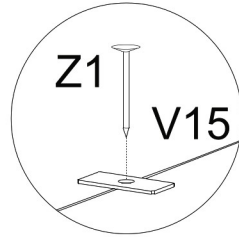
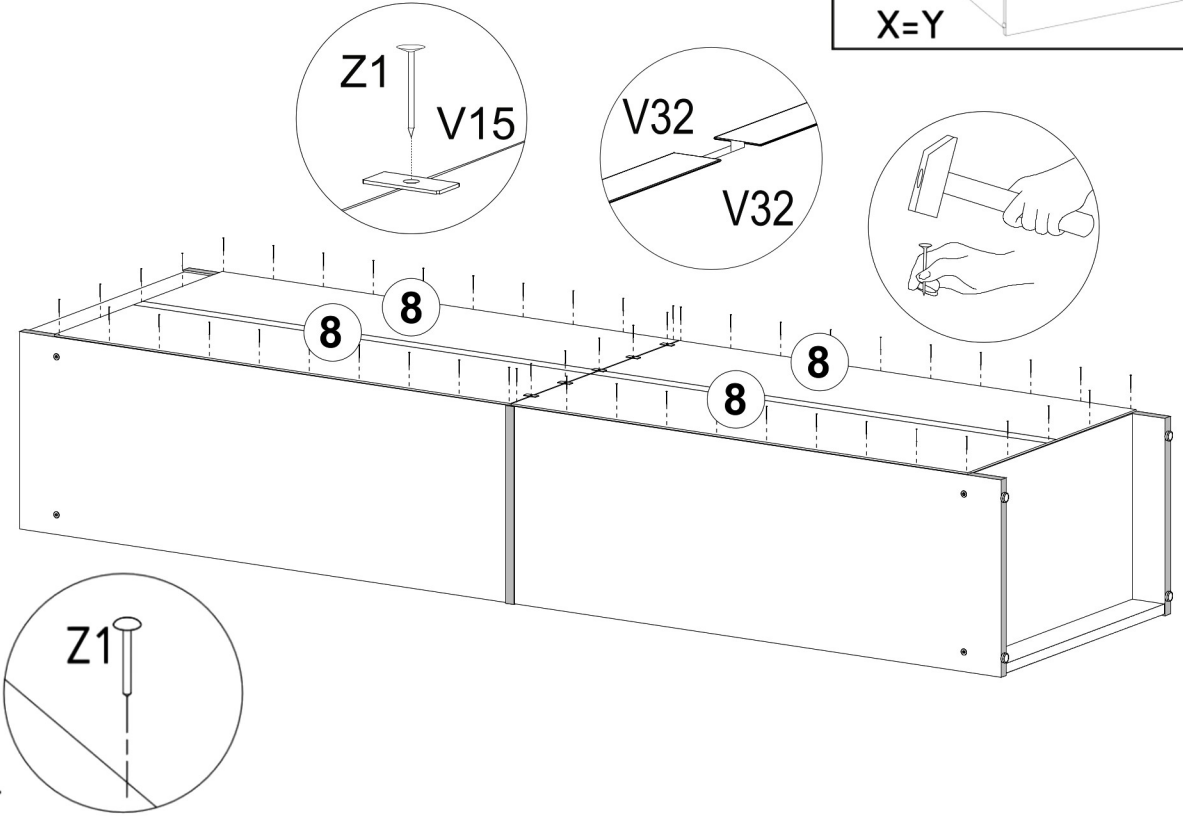







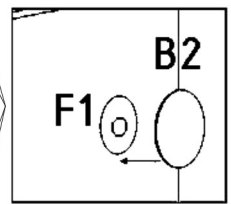
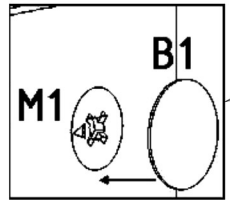
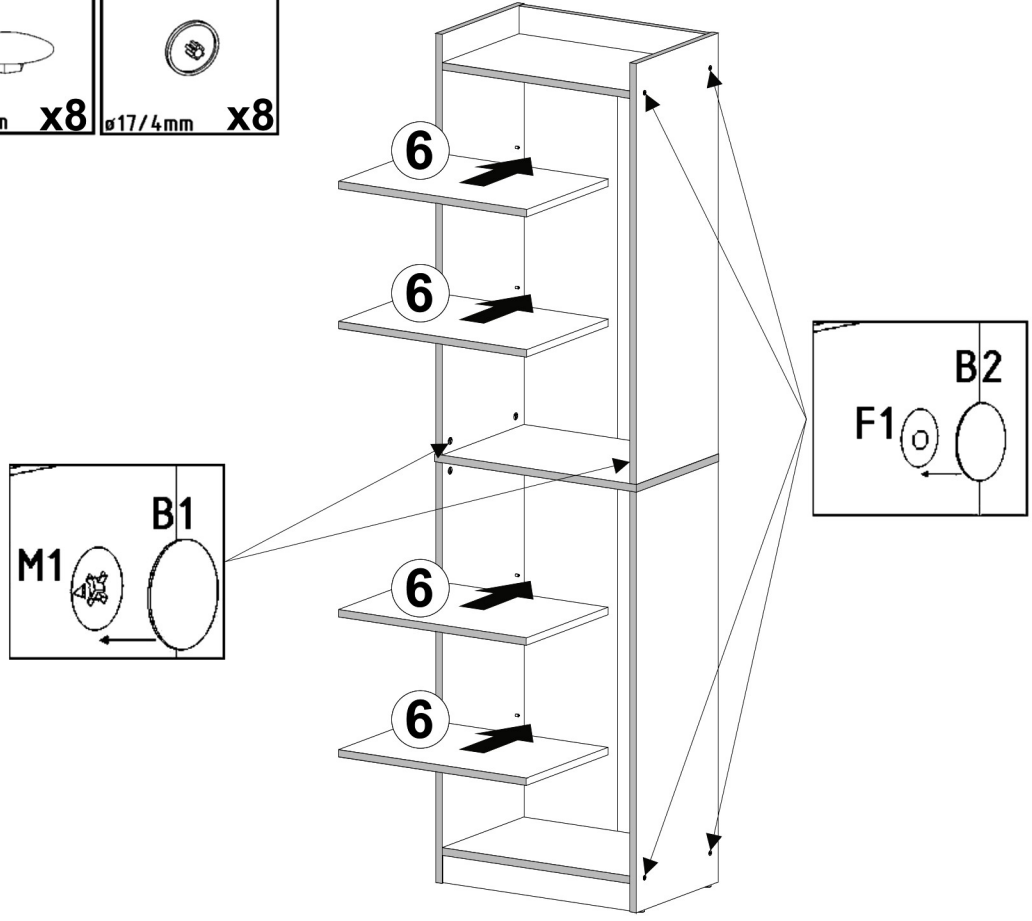
<p>Z1</p>  <p>x60</p>	<p>V15</p>  <p>x5</p>	<p>V32</p>  <p>L=828mm x2</p>
---	--	--


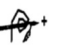


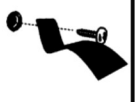


 <p>8mm</p>






<p>V13</p>  <p>x1</p>	<p>B2</p>  <p>ø12/4mm x8</p>	<p>B1</p>  <p>ø17/4mm x8</p>
---	---	---







<p>V13</p> 
<p>V13</p> 