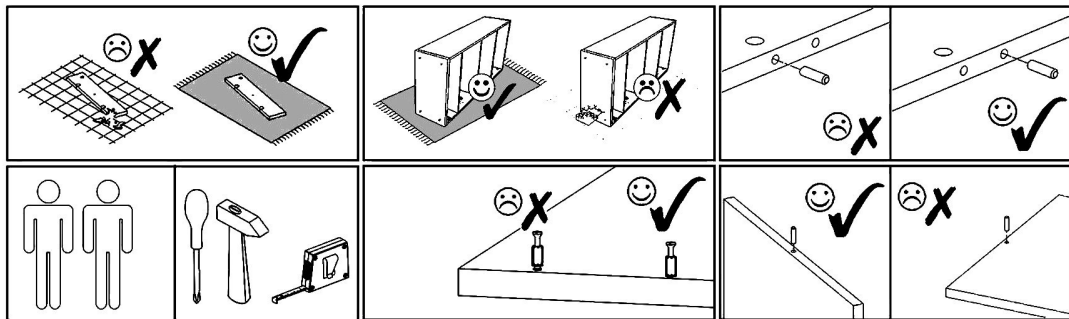
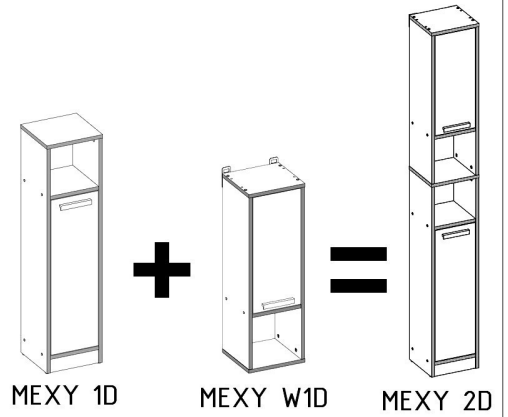
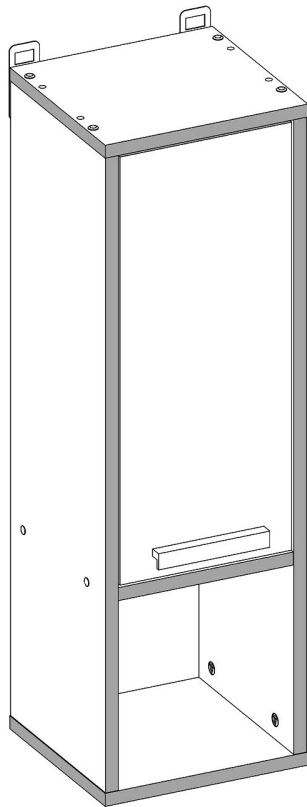


MEXY_W1D	
PRODUCTION DATE	PACKING CODE

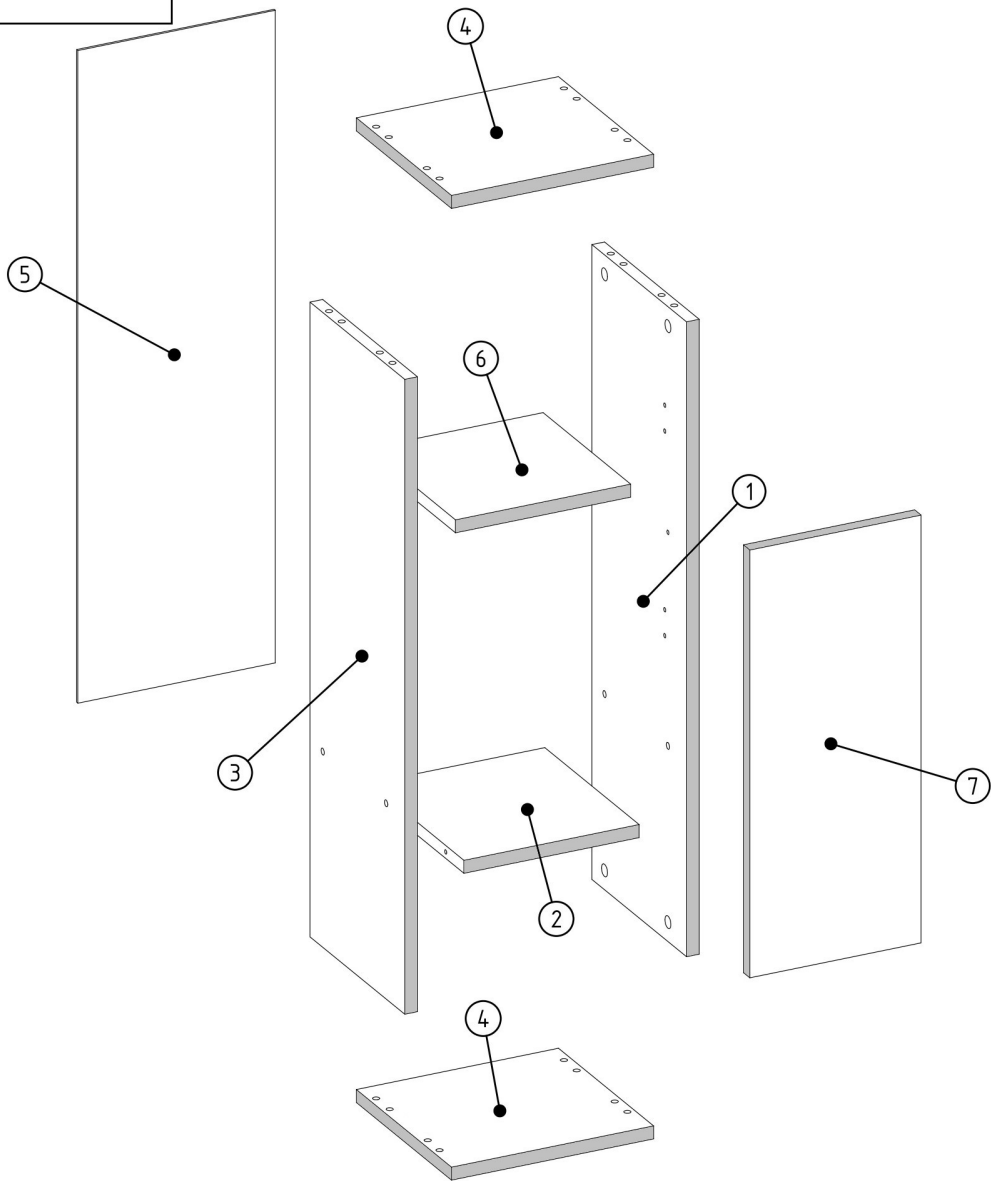


S13 3x25mm x6	B4 B ø12/8,5mm x8	B4 Ant ø12/8,5mm x8	B4 S/A ø12/8,5mm x8	B4 K ø12/8,5mm x8	V25 x1		
B2 K ø12/4mm x4	B2 B ø12/4mm x4	B1 B ø17/4mm x8	B1 Ant ø17/4mm x8	B1 S/A ø17/4mm x8	B1 K ø17/4mm x8	N4 L=62mm x4	V59 D=7mm x1
V16 5x16mm x4	U3 L=150/96mm x1	Z1 x30	N7 L=41mm x8	E1 8x30mm x8	E3 8x50mm x4	B2 S/A ø12/4mm x4	B2 Ant ø12/4mm x4
A2 ZW x2	S1 3,5x16mm x5	V28 x2	M1 12x15mm x8	F3 Hex 4mm x1	F1 7x50mm x4	V15 x5	S2 4x27mm x2




MEXY_W1D

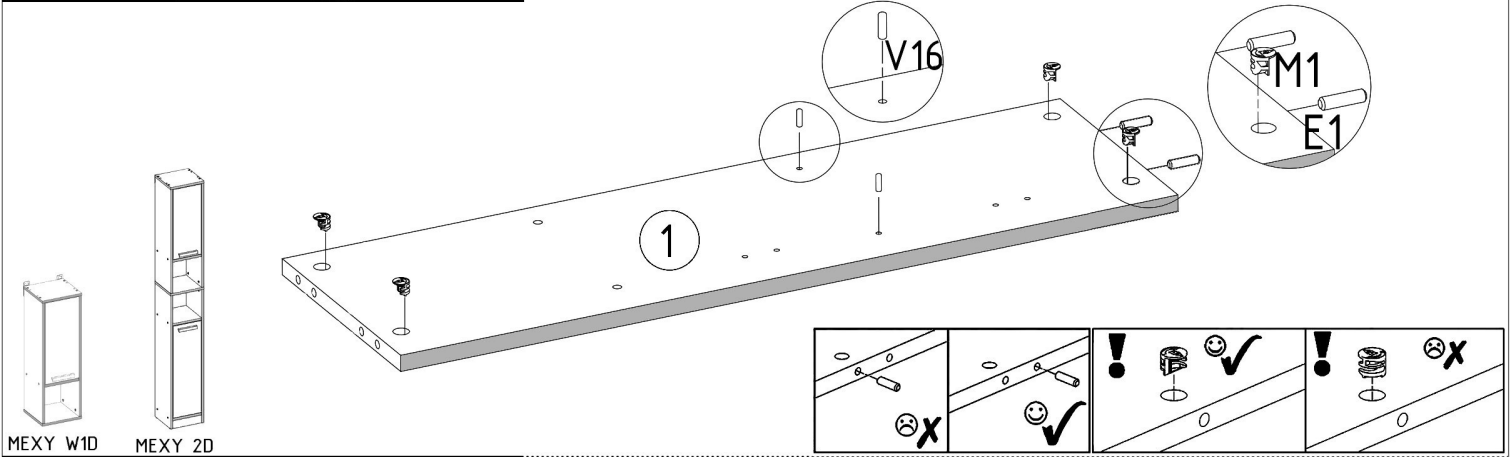
PRODUCTION DATE




PACKING CODE

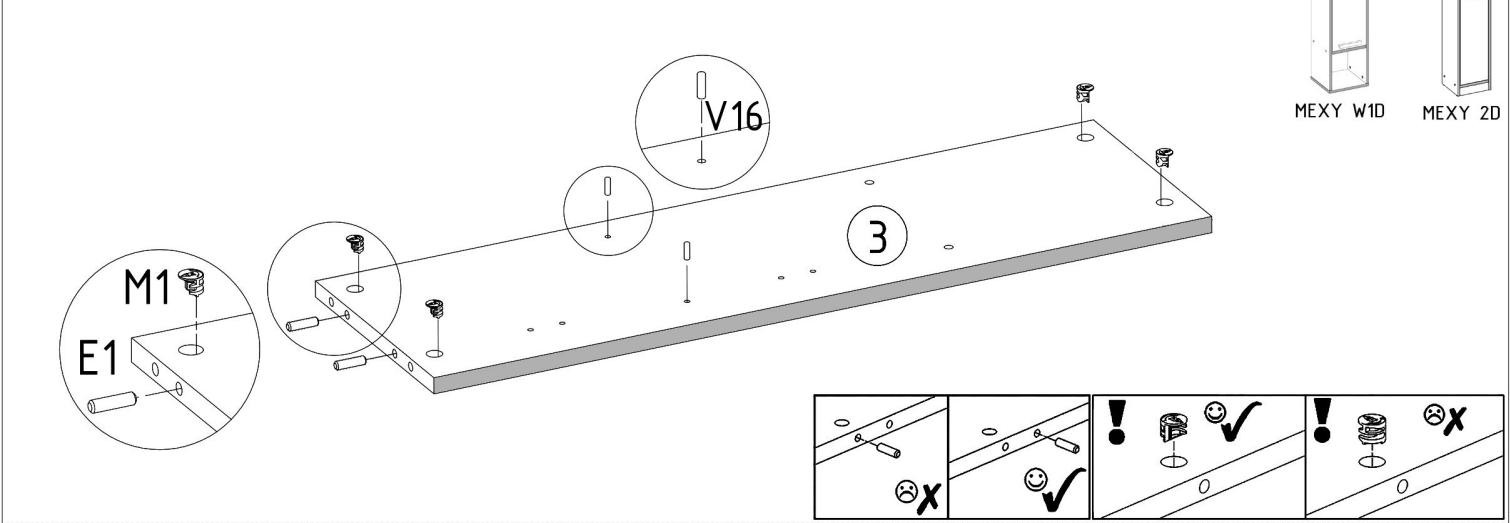


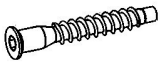
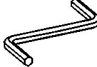
002216	7	1
002213	6	1
002214	5	1
002212	4	2
002221	3	1
002211	2	1
002219	1	1
ID	NUMBER	QUANTITY

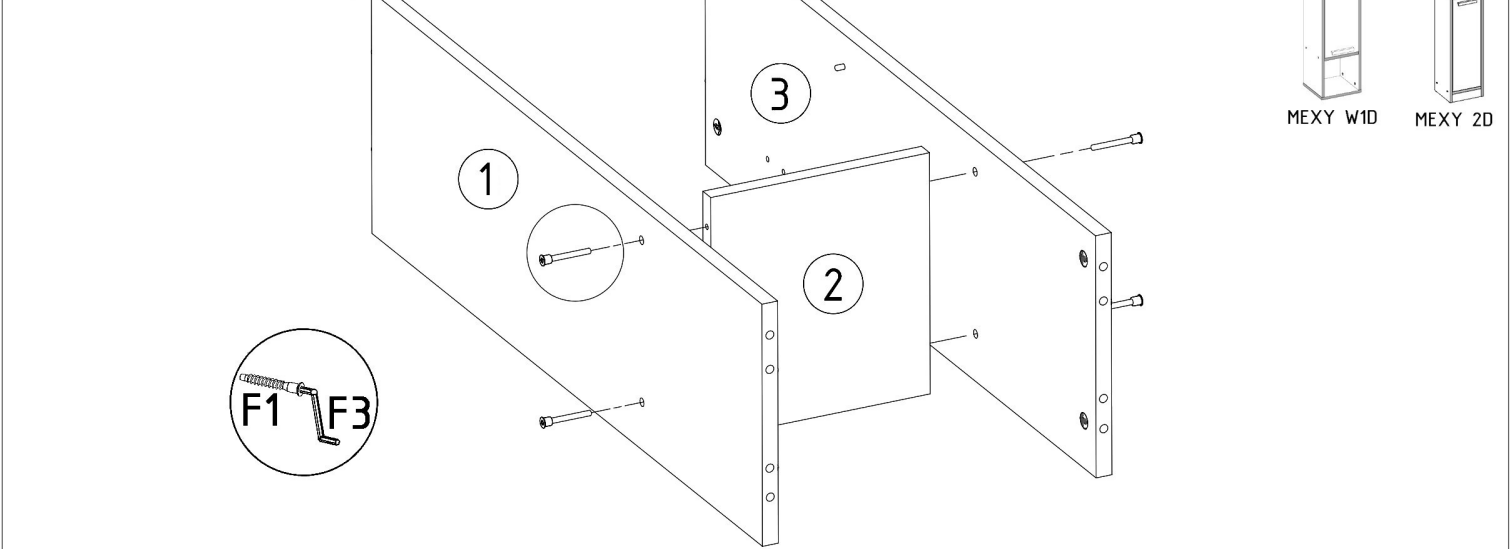
E1 	M1 	V16 
8x30mm	x2 12x15mm	x4 5x16mm

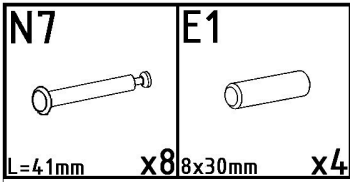


E1 	M1 	V16 
8x30mm	x2 12x15mm	x4 5x16mm

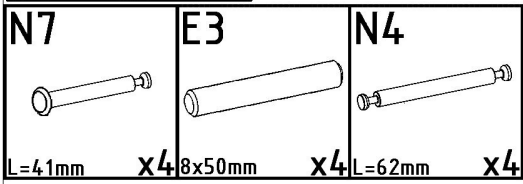
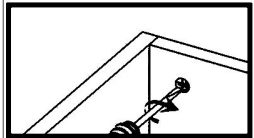
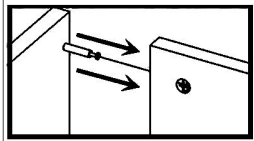
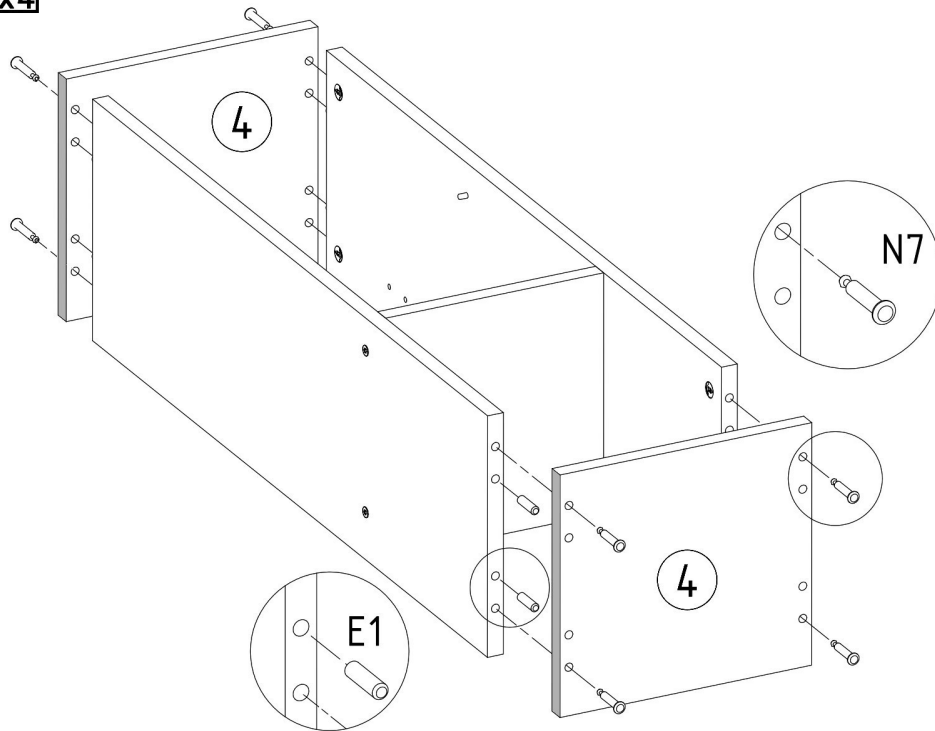


F1 	F3 
7x50mm	x4 Hex 4mm

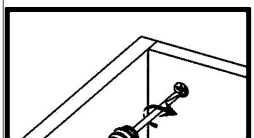
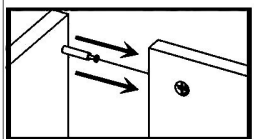
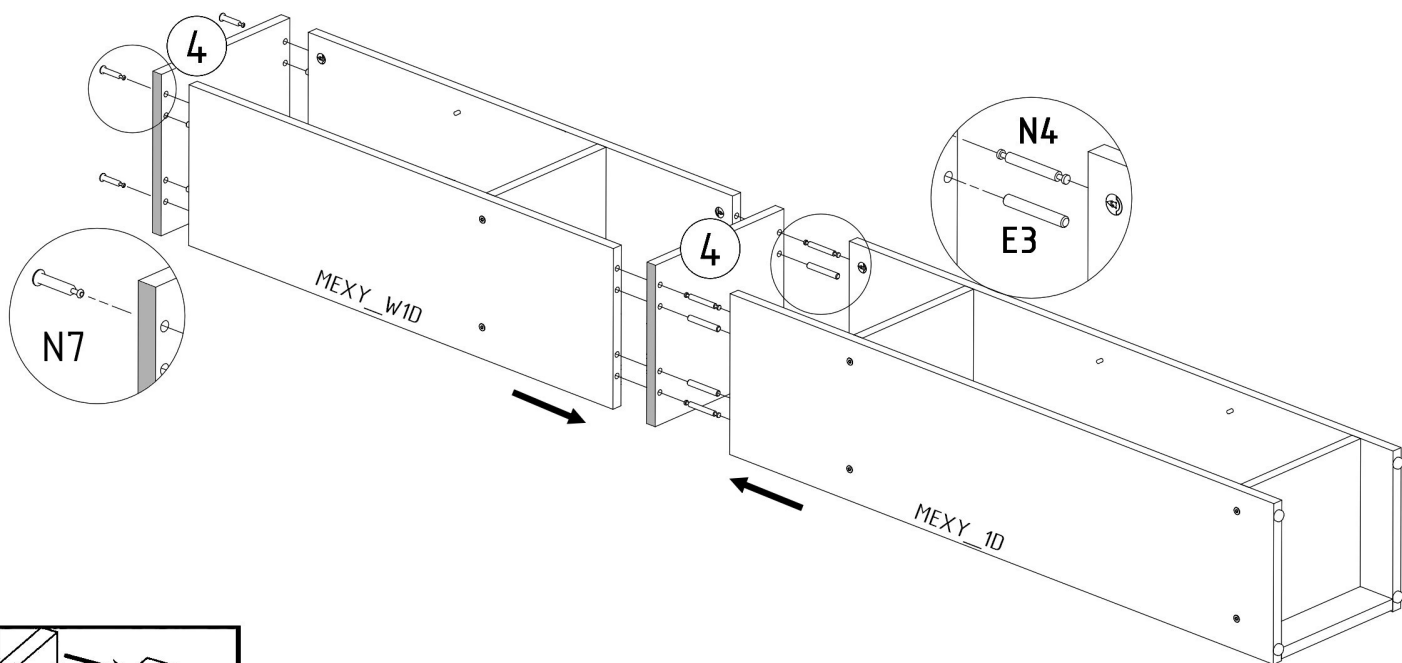


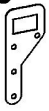






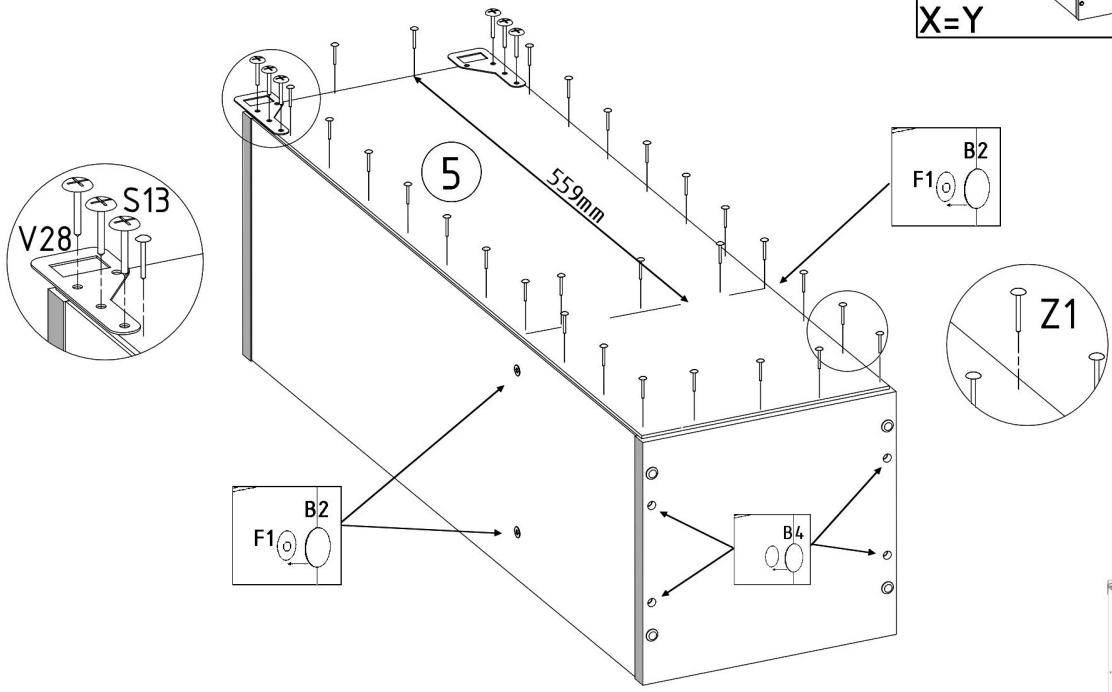
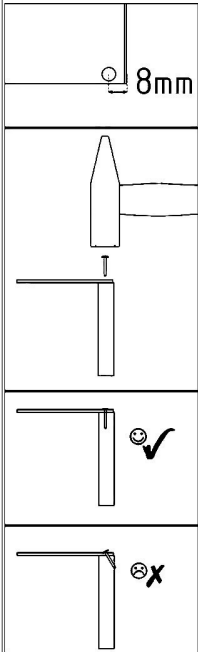
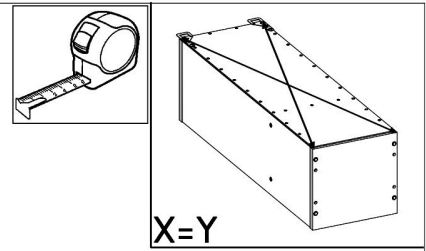
MEXY W1D





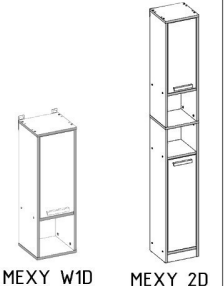
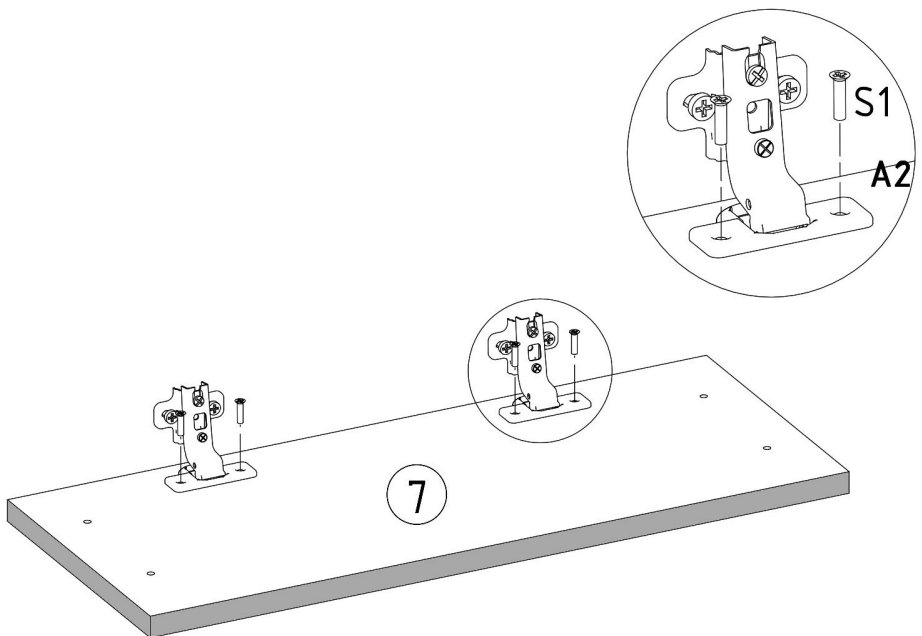
MEXY 2D




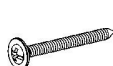



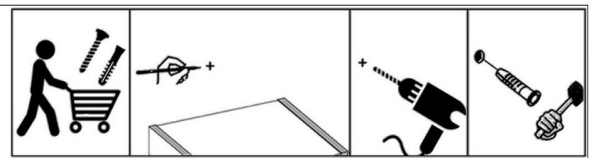
V28  x2	Z1  x30	S13  3x25mm x6	B4  ø12/8,5mm x4	B2  ø12/4mm x4
--	---	--	---	--


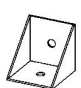





A2  ZW x2	S1  3,5x16mm x4
--	---






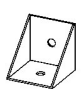



B4  ø12/8,5mm x4	B1  ø17/4mm x4	U3  L=150/96mm x1	S2  4x27mm x2	V59  D=7mm x1
--	---	---	--	--



S1  3,5x16mm x1	V25  x1
--	---

Z1  x50	B2  ø12/4mm x12	V15  x5
--	---	---

B4  ø12/8,5mm x4	B1  ø17/4mm x8	U3  L=150/96mm x2	S2  4x27mm x4
S1  3,5x16mm x1	V25  x1	V59  ID=7mm x1	

