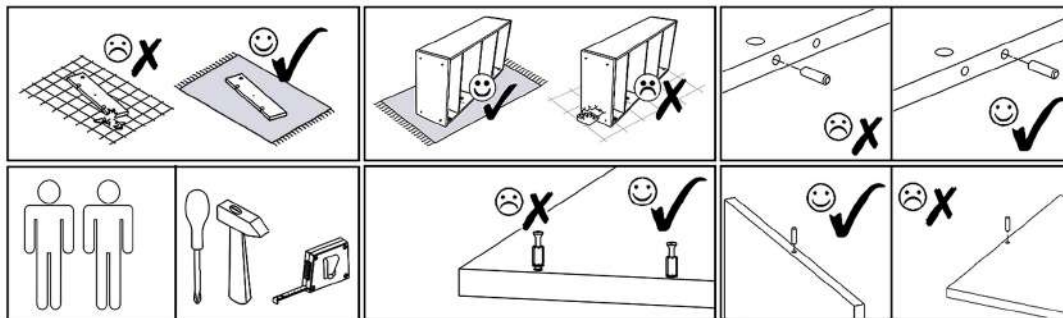




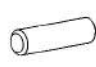










## KUBA\_6S

PRODUCTION DATE

PACKING CODE

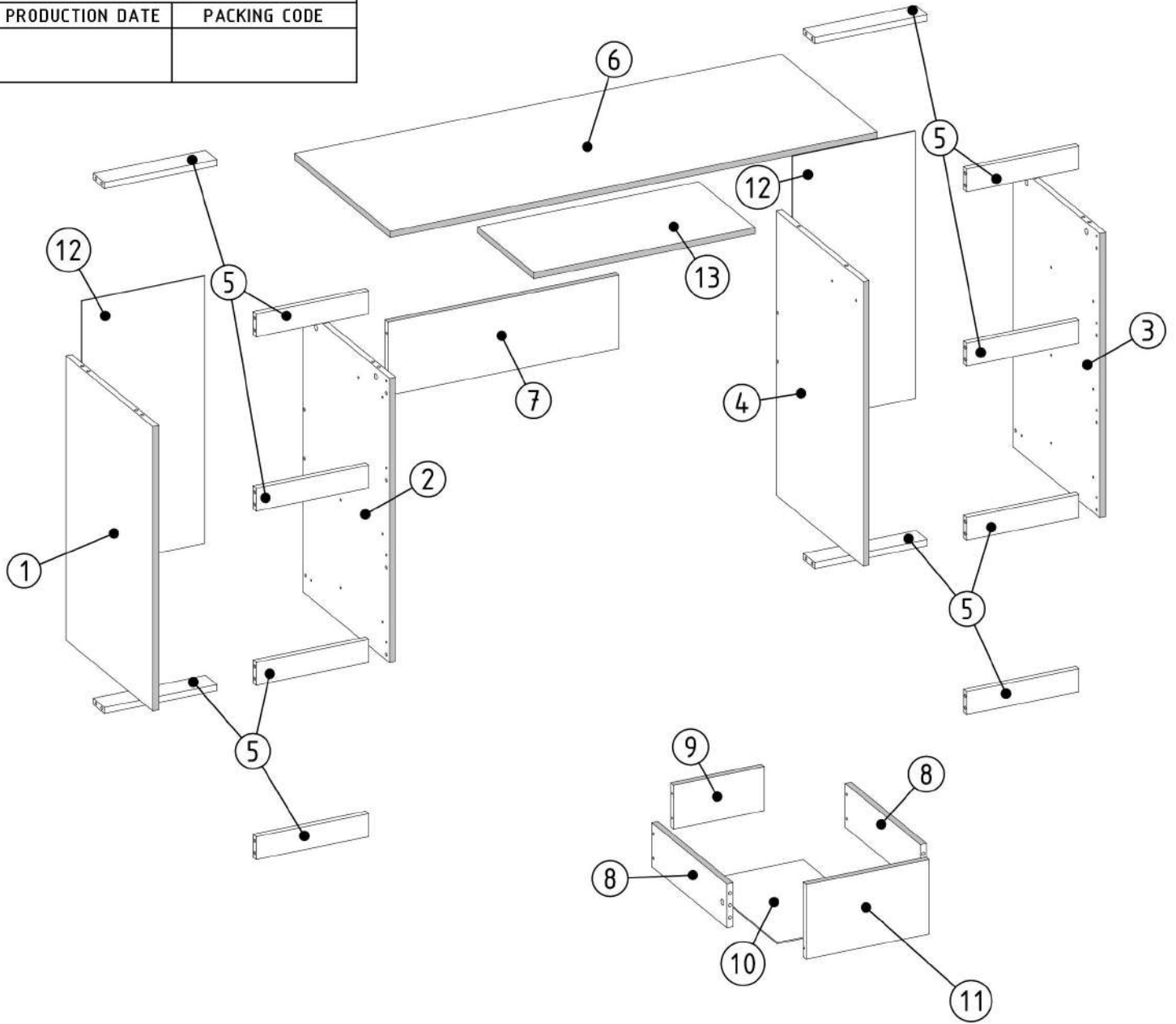


<b>N1</b>  L=35mm x44	<b>M1</b>  12x15mm x44	<b>Z2</b>  x24	<b>S1</b>  3,5x16mm x28	<b>E1</b>  8x30mm x56	<b>F3</b>  Hex 4mm x1	
<b>T1</b>  x8	<b>Z1</b>  x100	<b>P2</b>  L=300mm x1	<b>P4</b>  L=400mm x6	<b>R1</b>  6x8mm x28	<b>F1</b>  7x50mm x4	<b>B1</b>  ø17/4mm x12





## KUBA\_6S



PRODUCTION DATE

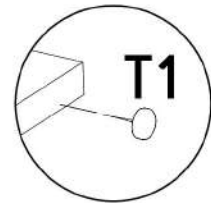
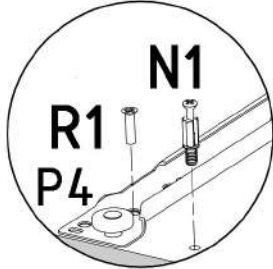
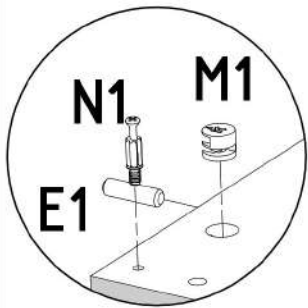
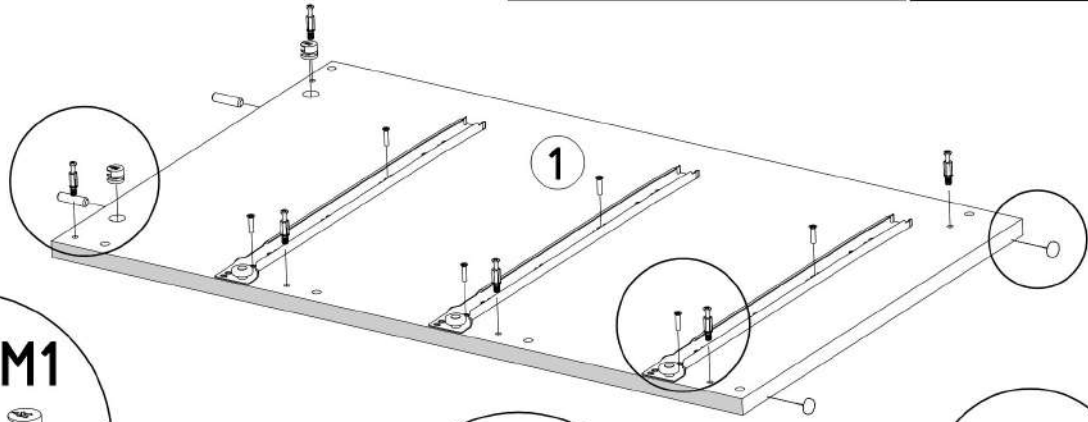
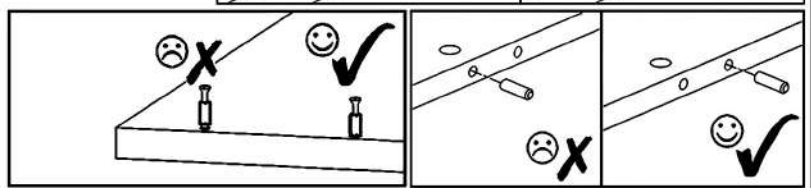
PACKING CODE









000119	13	1
000345	12	2
000043	11	6
000020	10	6
000006	9	6
000082	8	12
000133	7	1
000344	6	1
000030	5	12
000184	4	1
000183	3	1
000185	2	1
000182	1	1
ID	NUMBER	QUANTITY

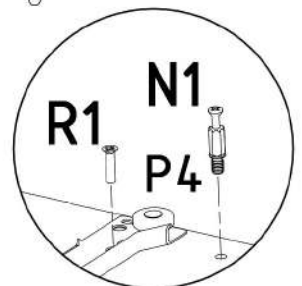
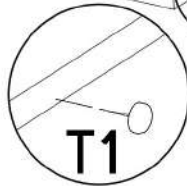
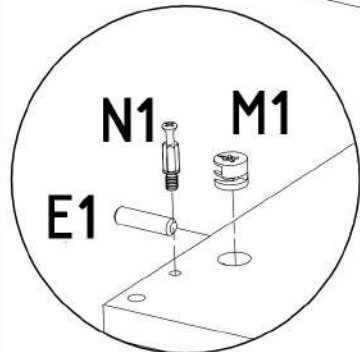
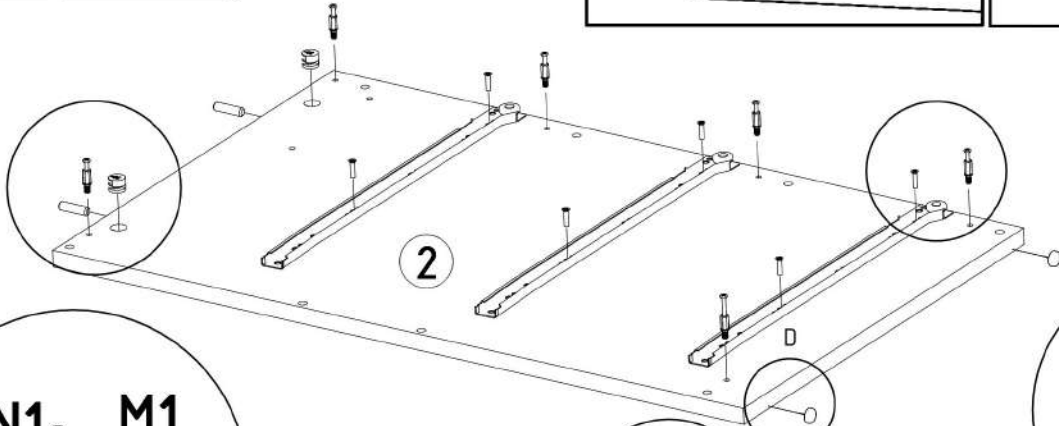
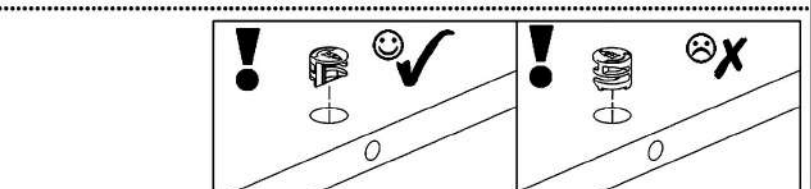
<b>N1</b>  L=35mm x6	<b>M1</b>  12x15mm x2	<b>R1</b>  6x8mm x6	<b>P4</b>  L=400mm x3
---	---	---	--





<b>E1</b>  8x30mm x2	<b>T1</b>  x2
--	--





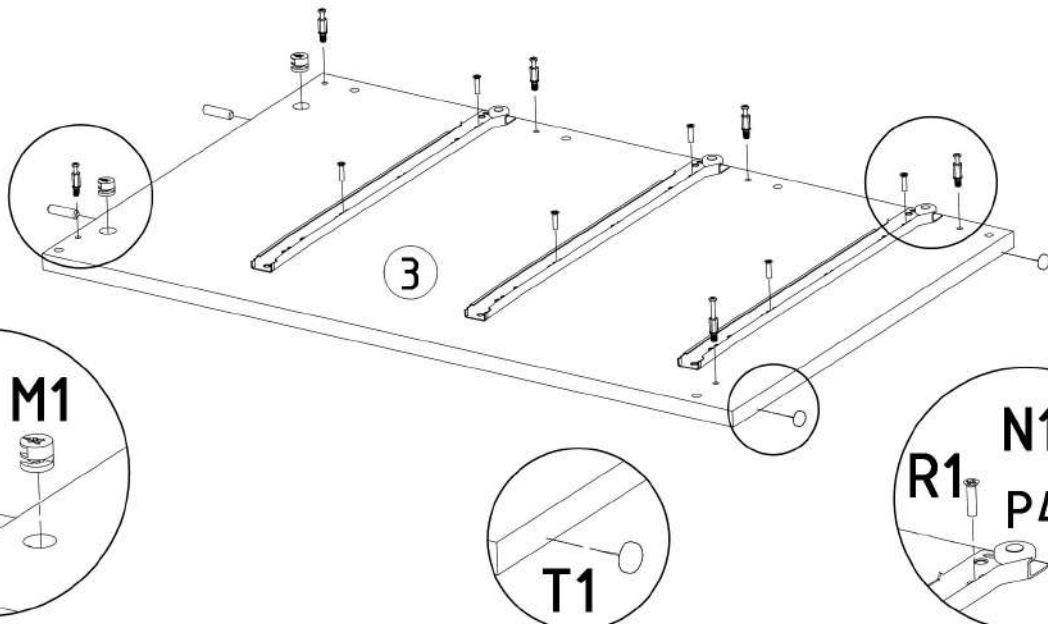
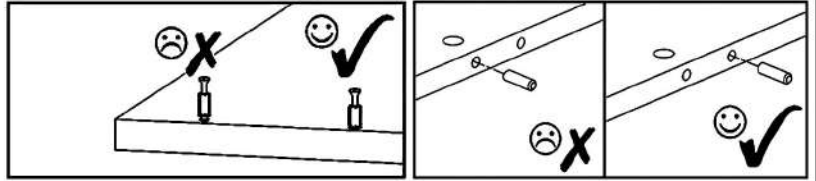
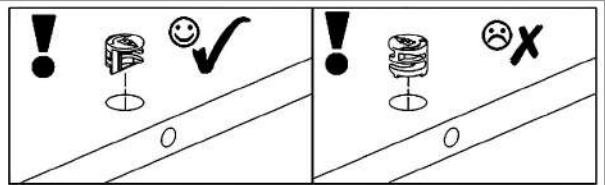
<b>N1</b>  L=35mm x6	<b>M1</b>  12x15mm x2	<b>P4</b>  L=400mm x3	<b>R1</b>  6x8mm x6
--	--	--	--





<b>E1</b>  8x30mm x2	<b>T1</b>  x2
--	--





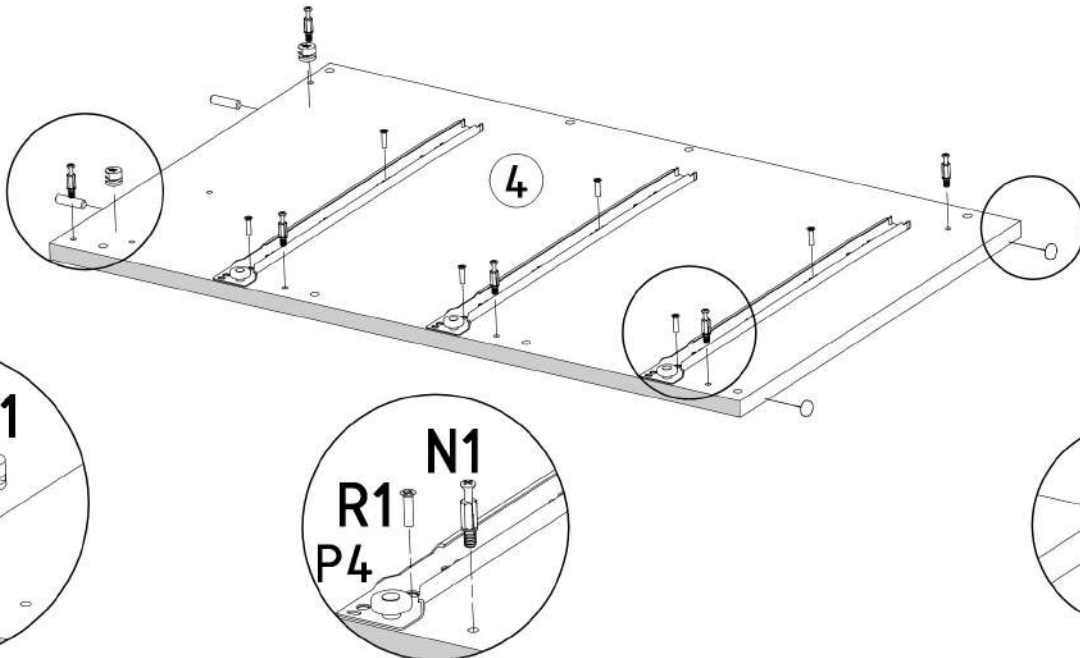
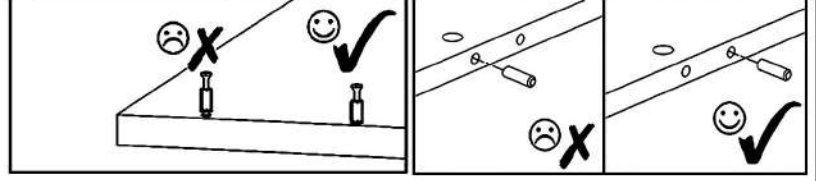
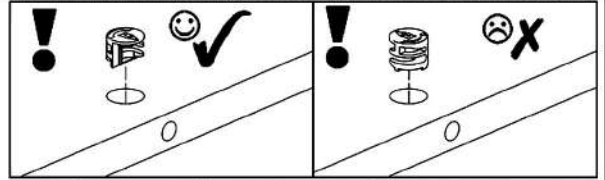
<b>N1</b>  L=35mm x6	<b>M1</b>  12x15mm x2	<b>P4</b>  L=400mm x3	<b>R1</b>  6x8mm x6
--	--	--	--

<b>E1</b>  8x30mm x2	<b>T1</b>  x2
--	--



<b>N1</b>  L=35mm x6	<b>M1</b>  12x15mm x2	<b>P4</b>  L=400mm x3	<b>R1</b>  6x8mm x6
--	--	--	--

<b>E1</b>  8x30mm x2	<b>T1</b>  x2
--	--



M1

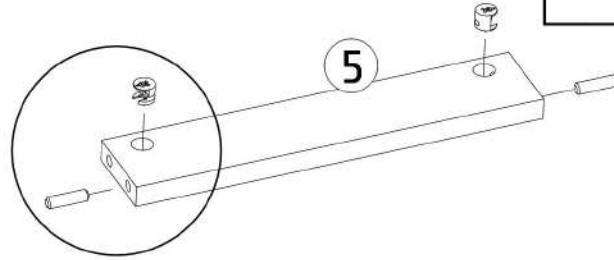
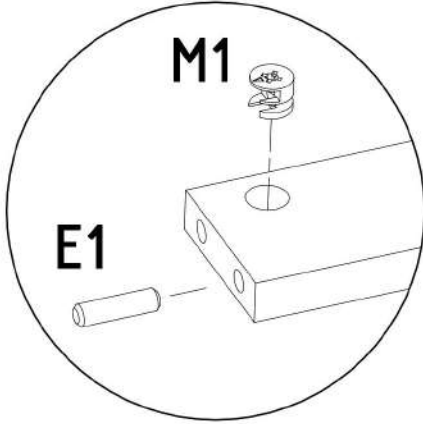
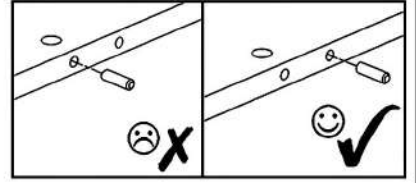
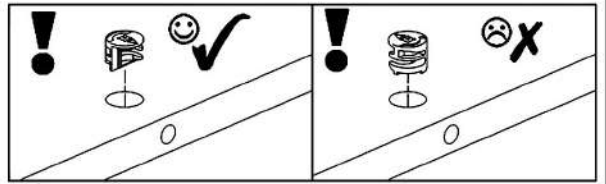


12x15mm x24

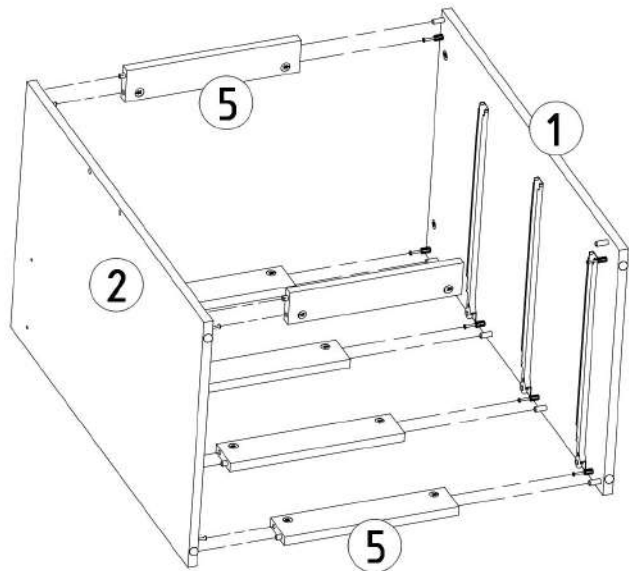
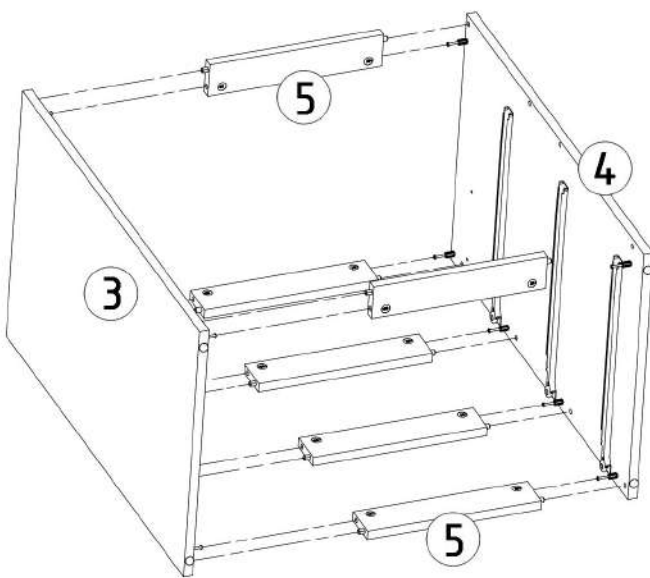
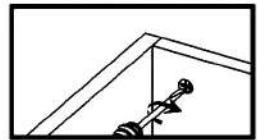
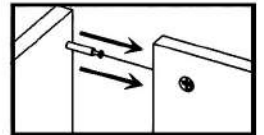
E1





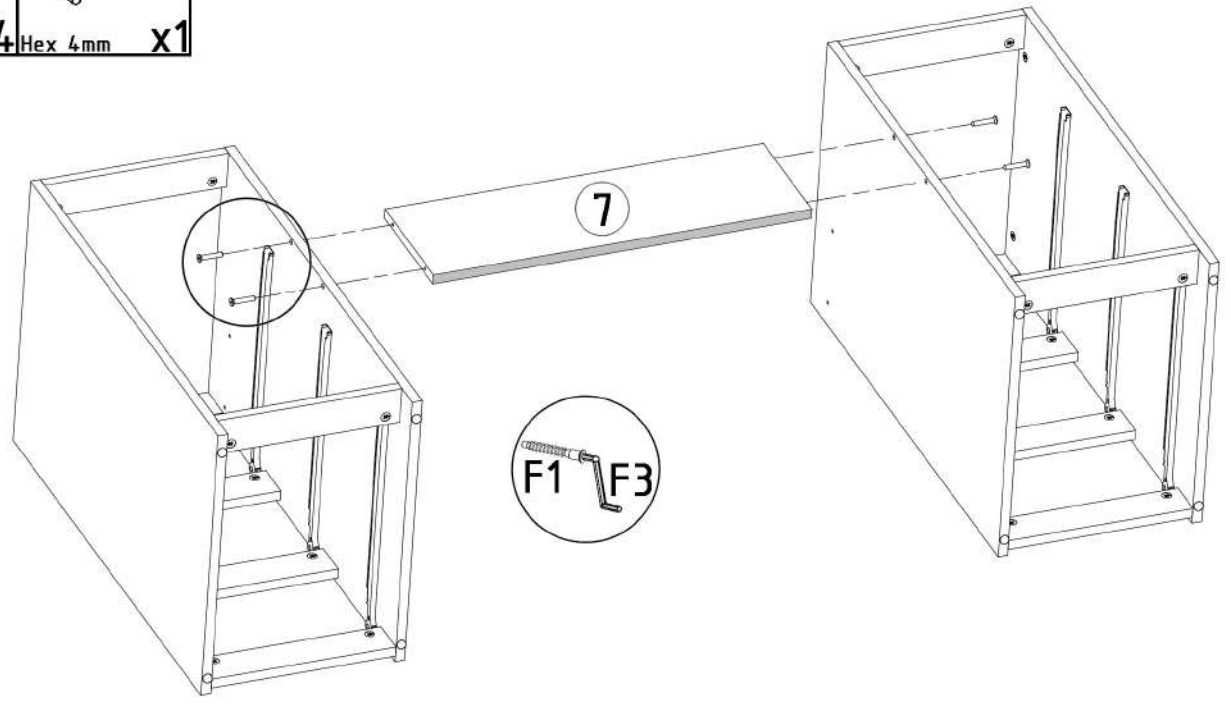
8x30mm x24



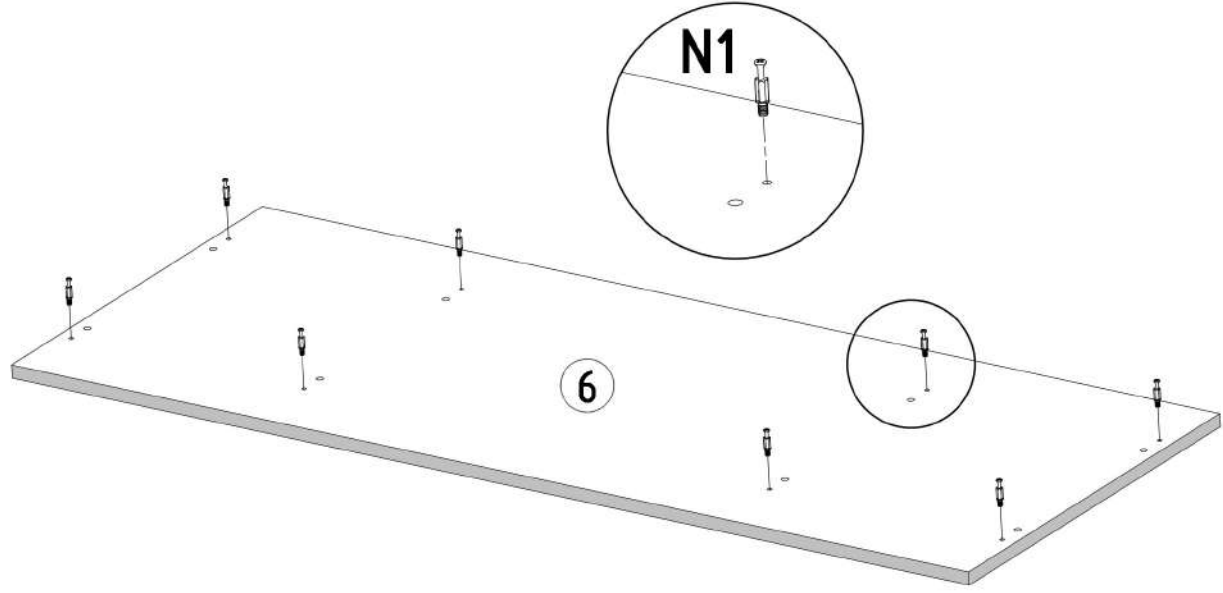
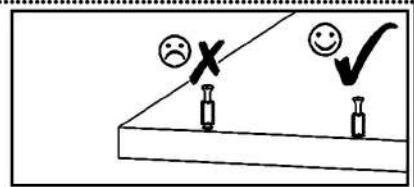
x12

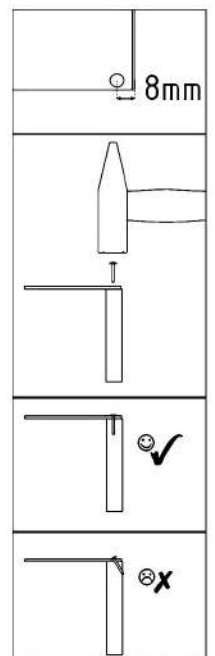
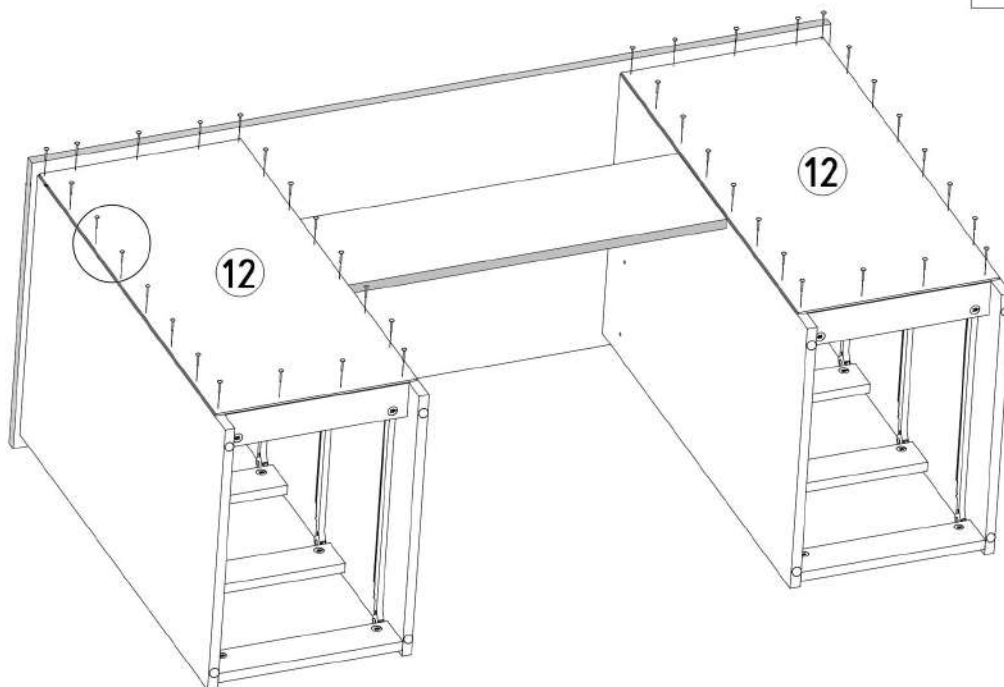
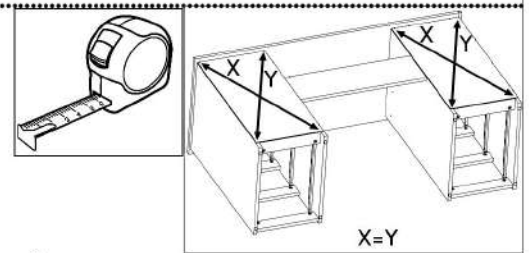
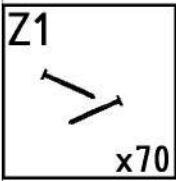
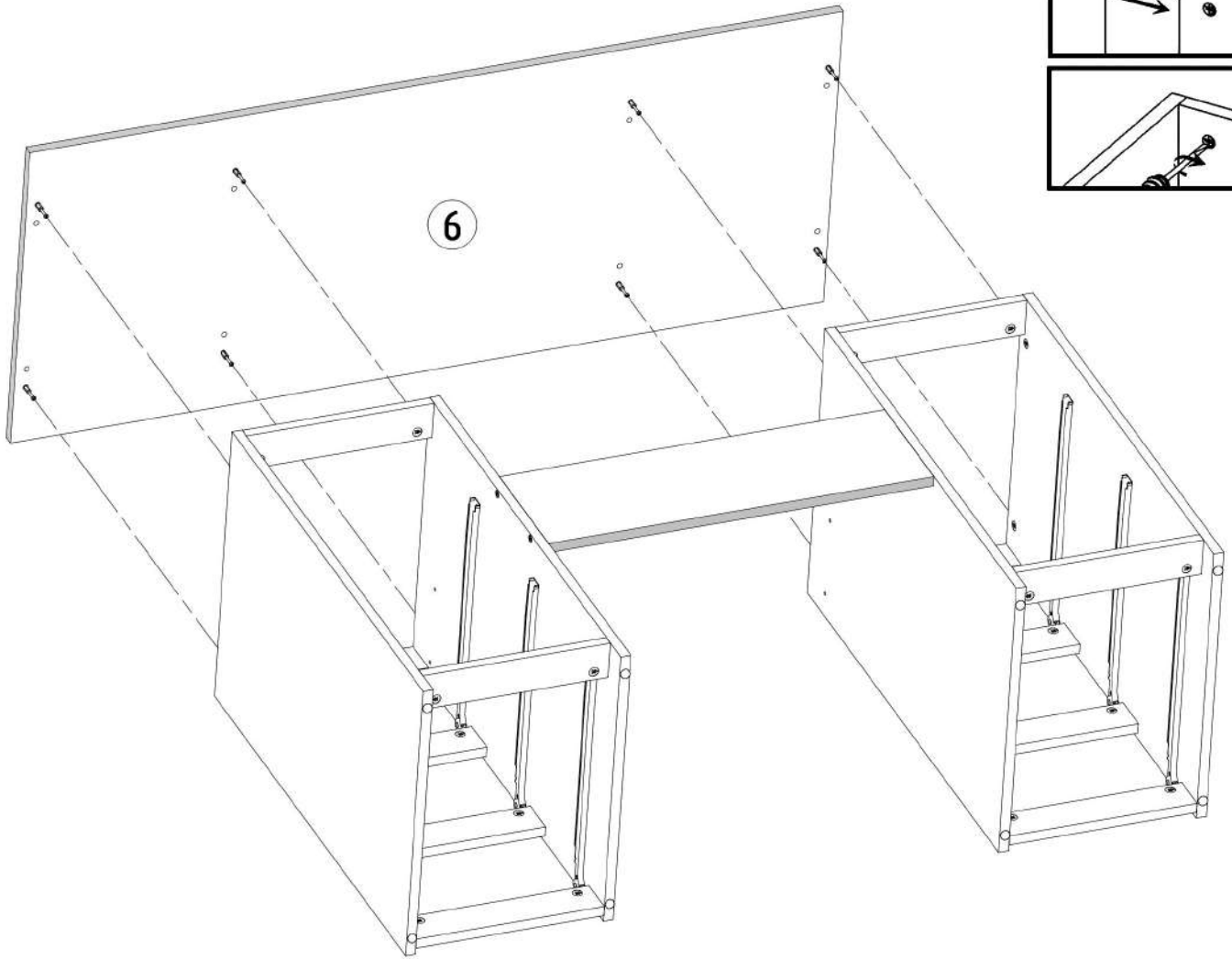
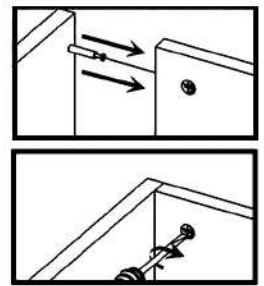




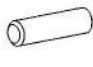
<b>F1</b>  7x50mm <b>X4</b>	<b>F3</b>  Hex 4mm <b>X1</b>
--	--

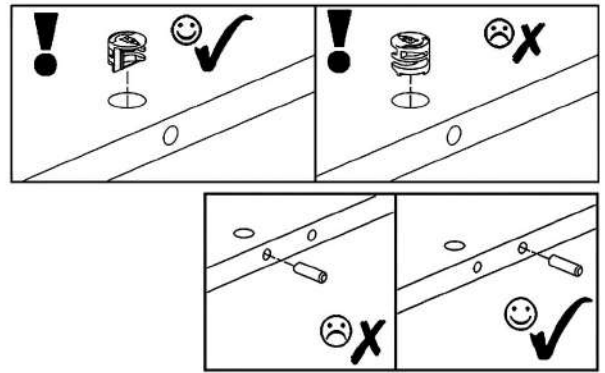


<b>N1</b>  L=35mm <b>X8</b>
---

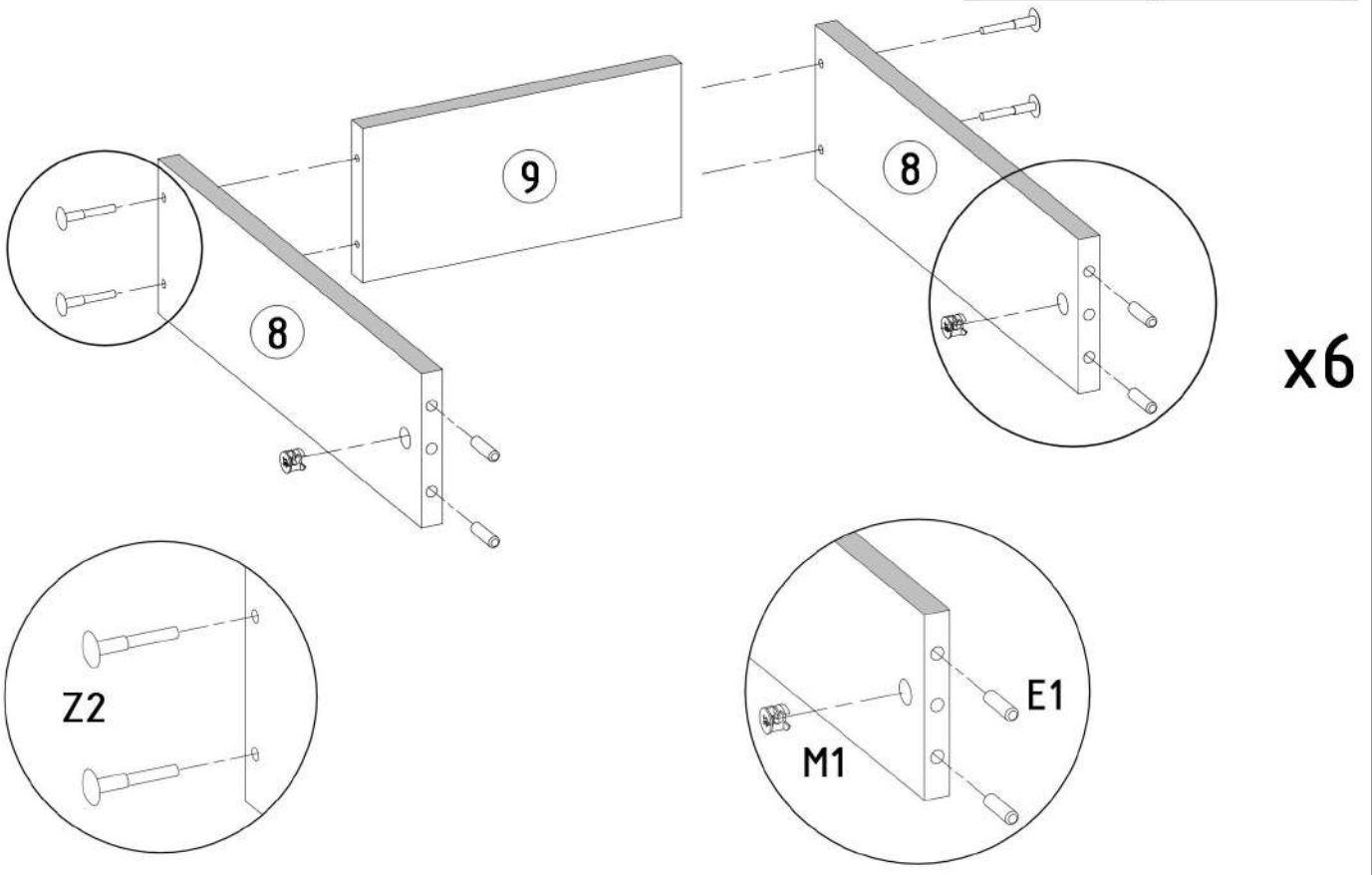




<b>M1</b>  12x15mm x12	<b>Z2</b>  x24	<b>E1</b>  8x30mm x24
---	---	--

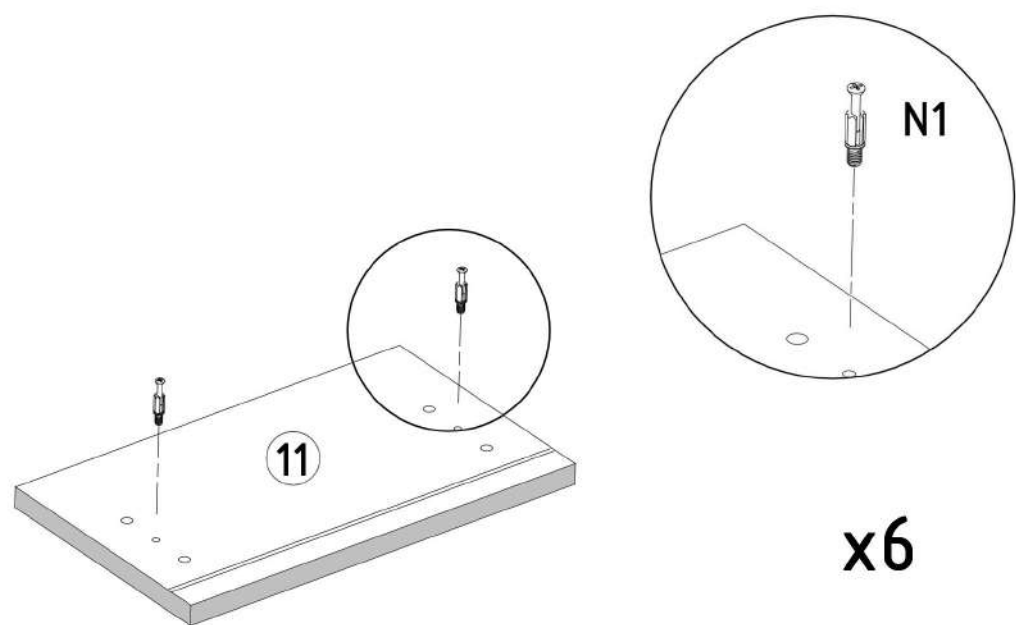


Warning diagrams showing correct and incorrect assembly methods for screws M1, Z2, and E1 into a panel. The top row shows correct placement (smiley face) and incorrect placement (sad face with X). The bottom row shows incorrect placement (sad face with X) and correct placement (smiley face with checkmark).




Main assembly diagram showing the installation of panels 8 and 9. Panel 8 is shown being attached to panel 9. Screws Z2 are used to secure panel 8 to panel 9. Screws M1 and E1 are used to secure panel 9 to the wall. A circular inset shows the correct placement of screws M1 and E1 into the panel. The quantity **x6** is indicated for the assembly.

<b>N1</b>  L=35mm x12
---

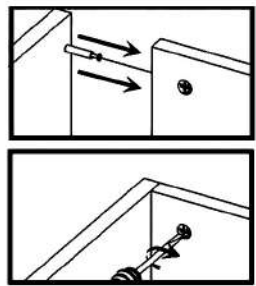


Assembly diagram for panel 11. A circular inset shows the correct placement of screw N1 into the panel. The quantity **x6** is indicated for the assembly.

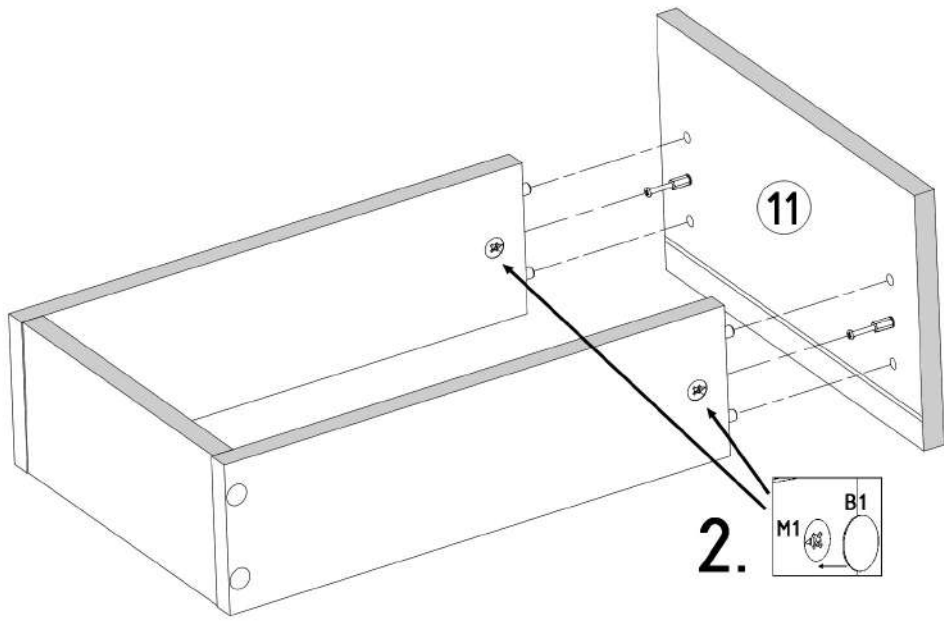
**B1**



∅17/4mm x12

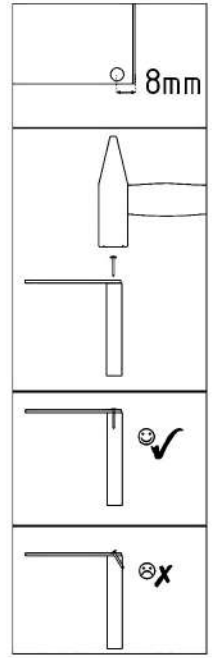
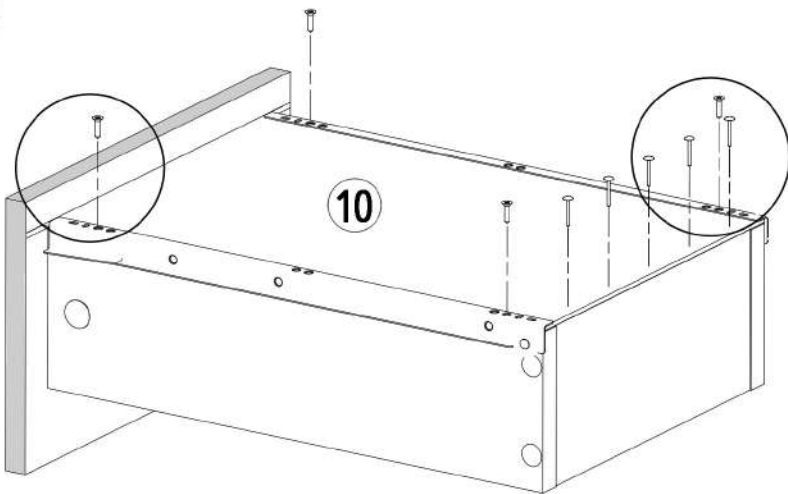
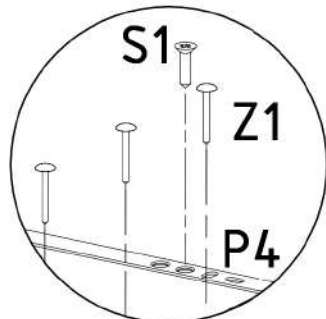
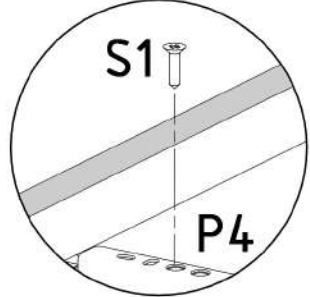


1.

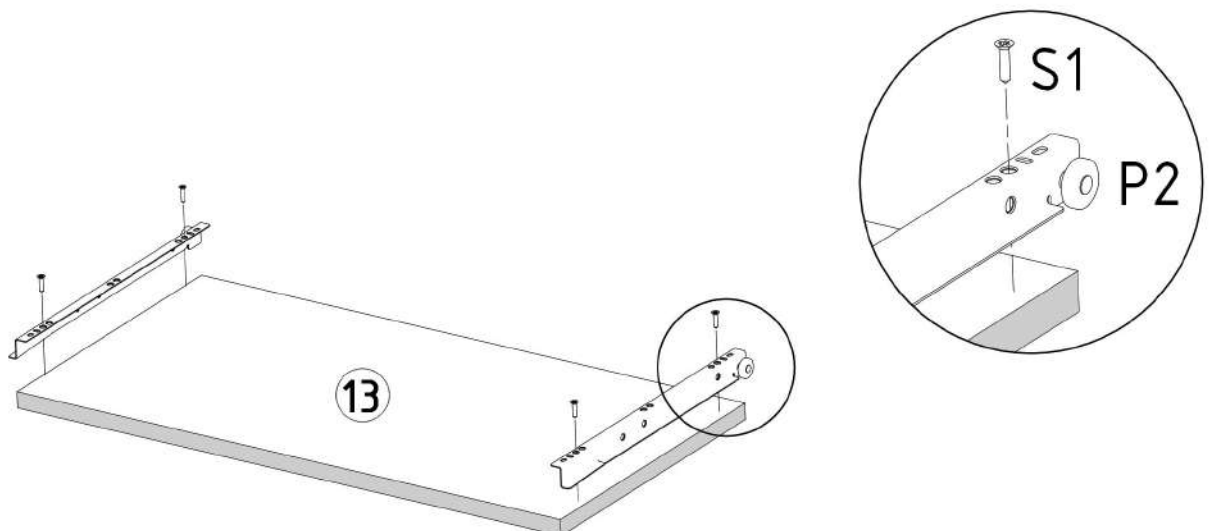
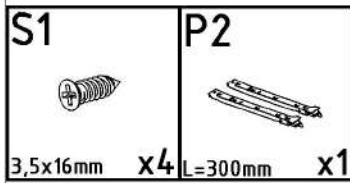
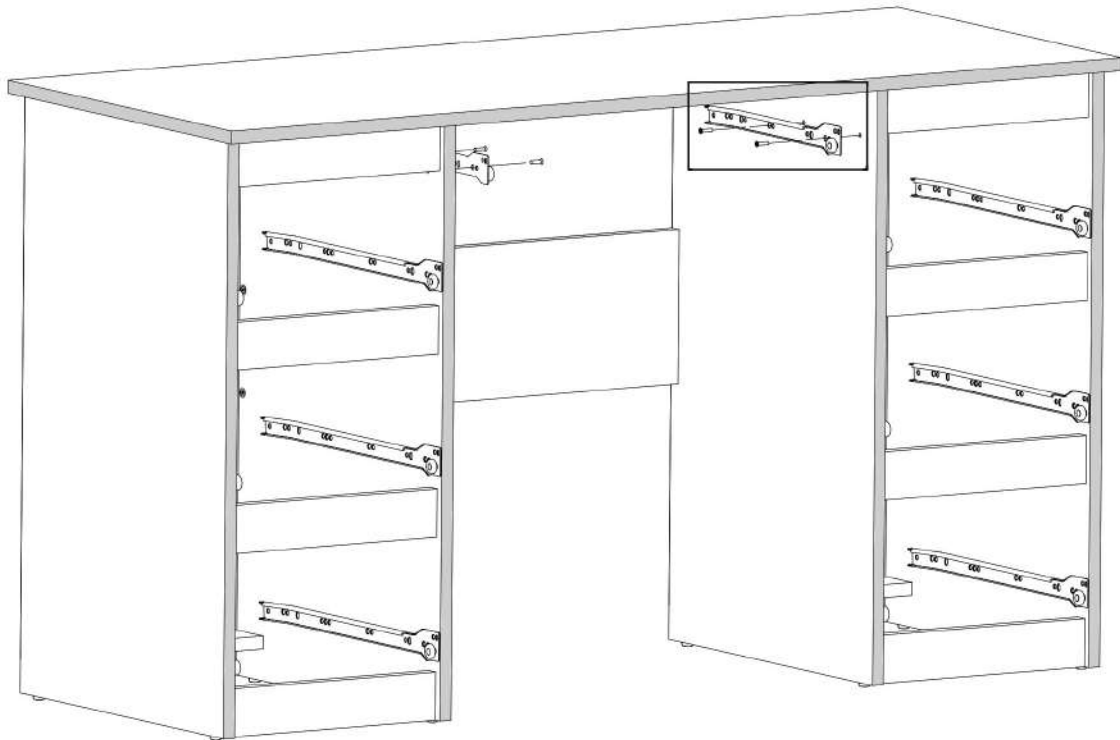
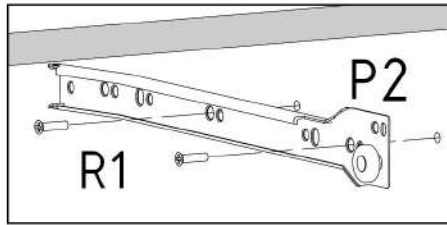
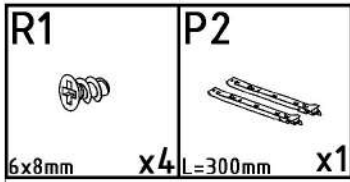


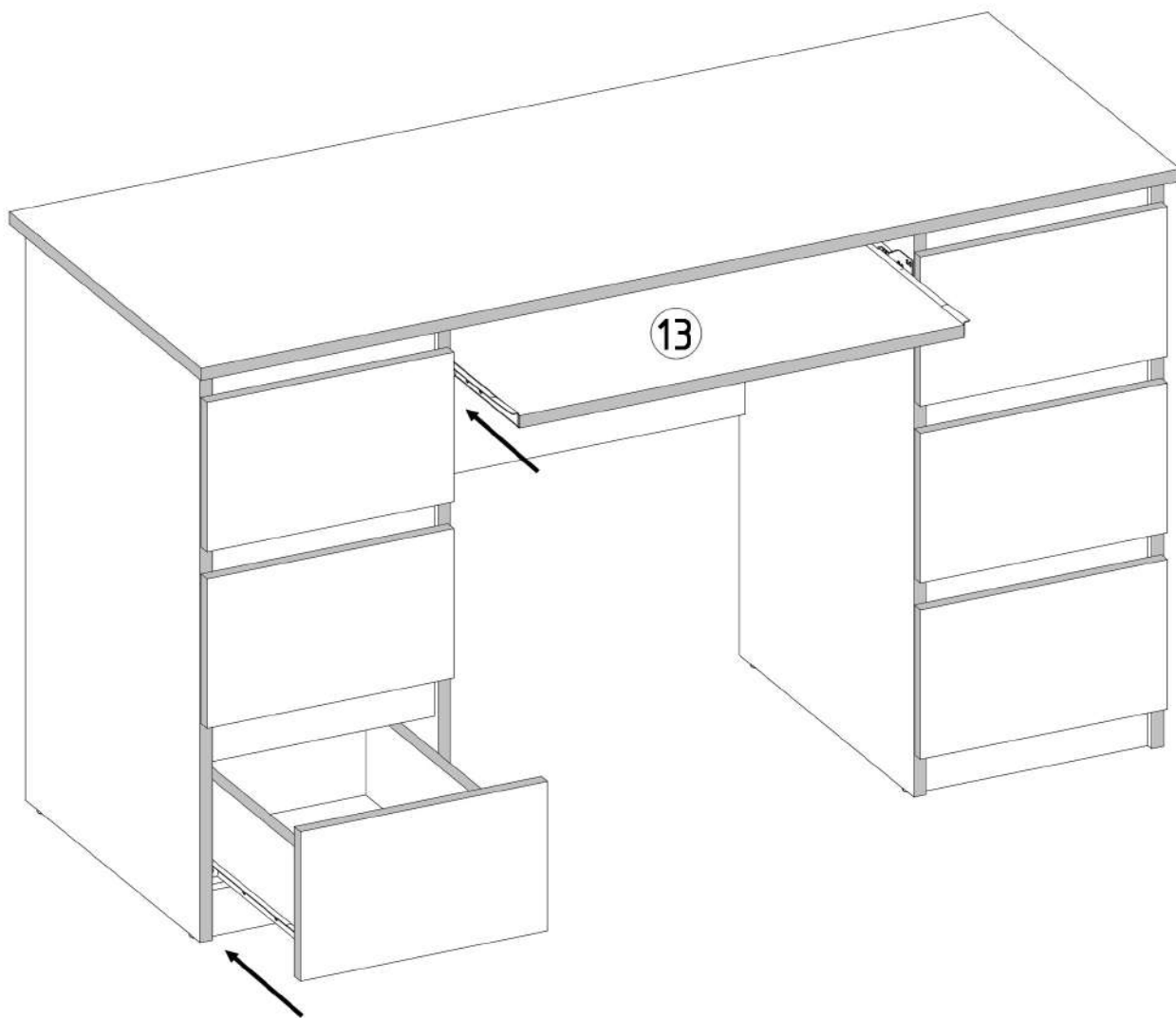
2.

<b>Z1</b>	<b>S1</b>	<b>P4</b>
		
x30	3,5x16mm x24	L=400mm x6



x6

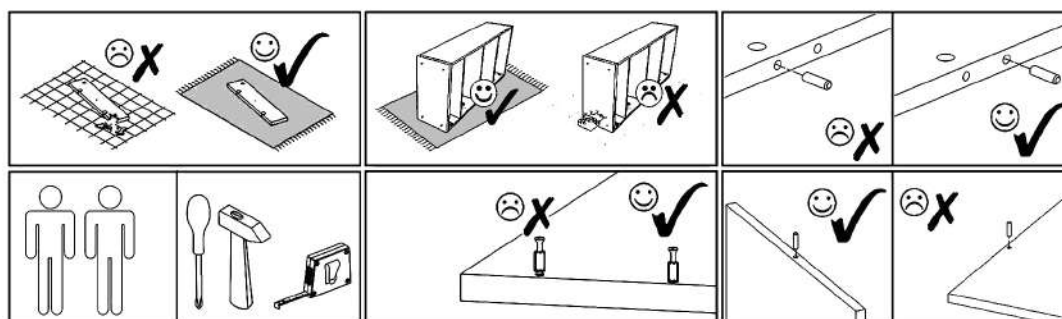
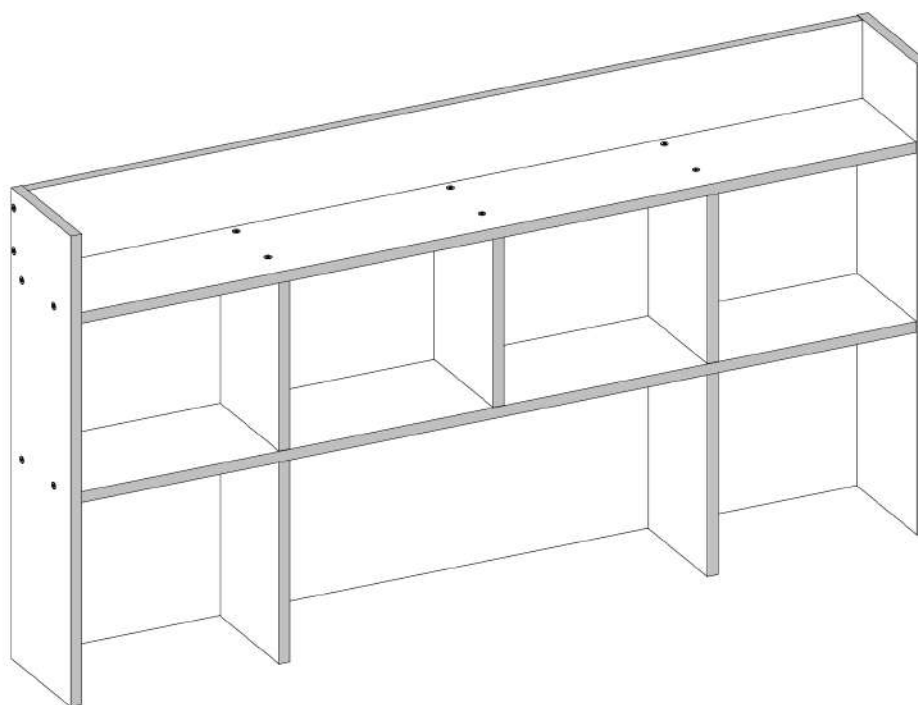




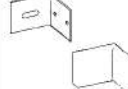









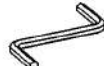



NDST\_130

PRODUCTION DATE

PACKING CODE

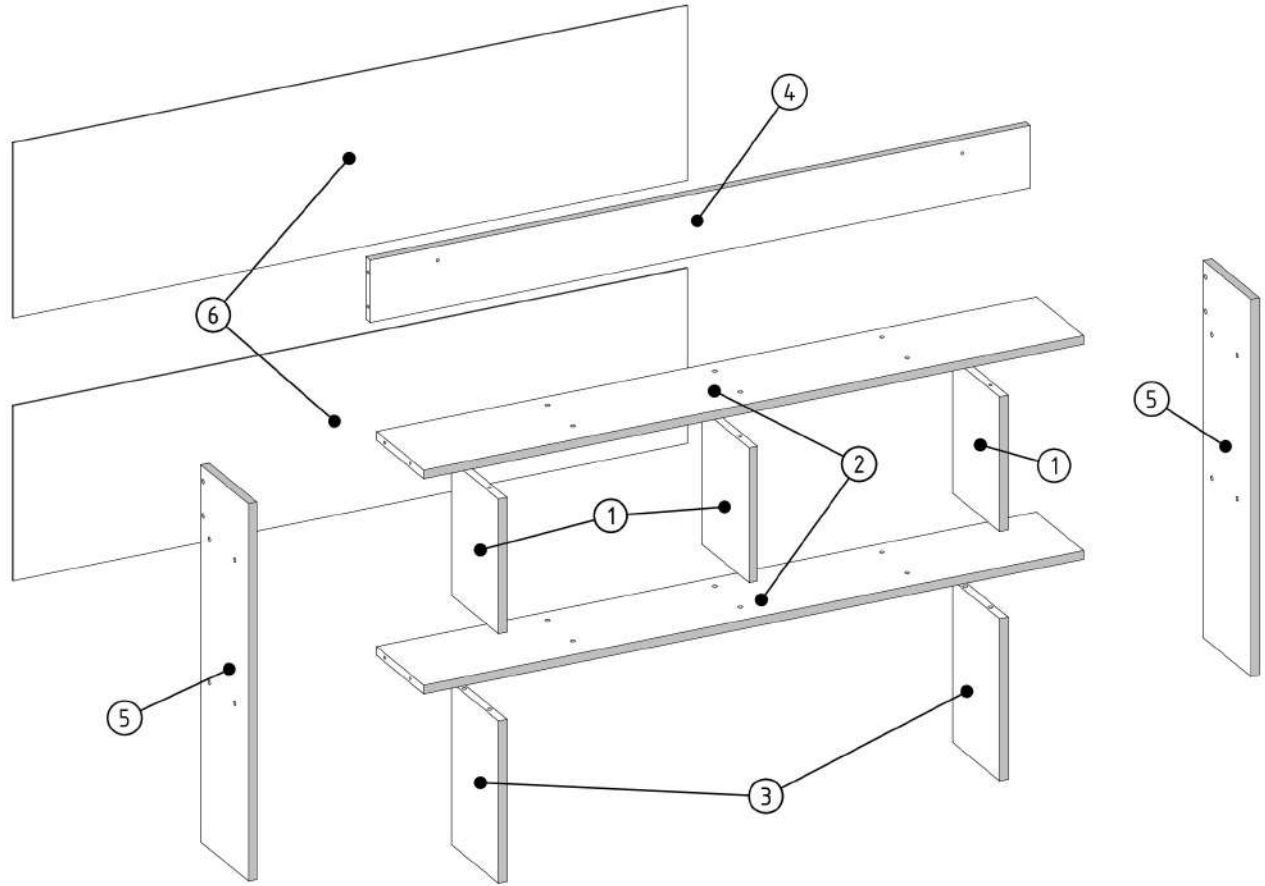


<b>B1</b>  ø17/4mm x10	<b>B2</b>  ø12/4mm x18	<b>V61</b>  x2	<b>V60</b>  8,5X10,5mm x2	<b>S9</b>  4x16mm x8	<b>B3</b>  ø7-8/5mm x2		
<b>N1</b>  L=35mm x2	<b>S1</b>  3,5x16mm x4	<b>N4</b>  L=62mm x4	<b>V15</b>  x8	<b>Z1</b>  x50	<b>F1</b>  7x50mm x18	<b>F3</b>  Hex 4mm x1	<b>M1</b>  12x15mm x10

IM250324

# NDST\_130

PRODUCTION DATE	PACKING CODE

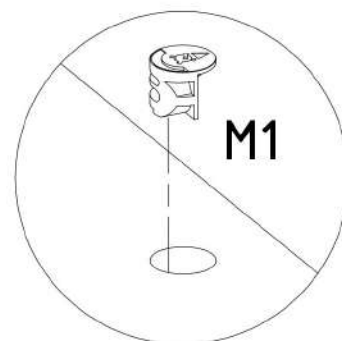
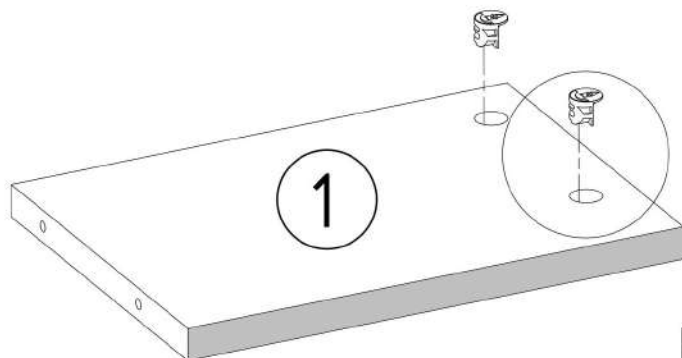


001593	6	2
001582	5	2
001591	4	1
001584	3	2
001589	2	2
001586	1	3
ID	NUMBER	QUANTITY

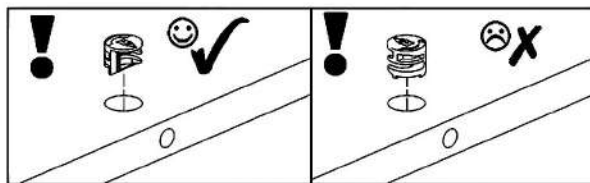
M1



12x15mm x6



x3



N1

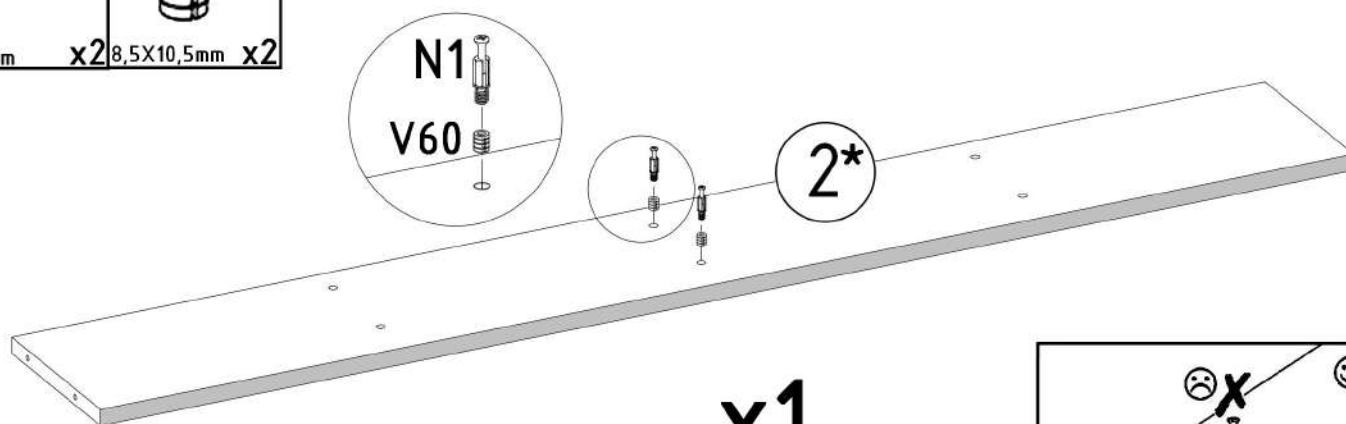
V60



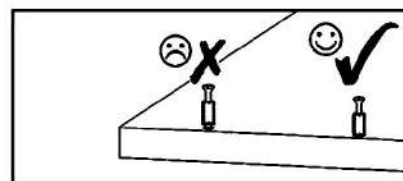
L=35mm x2



8,5X10,5mm x2



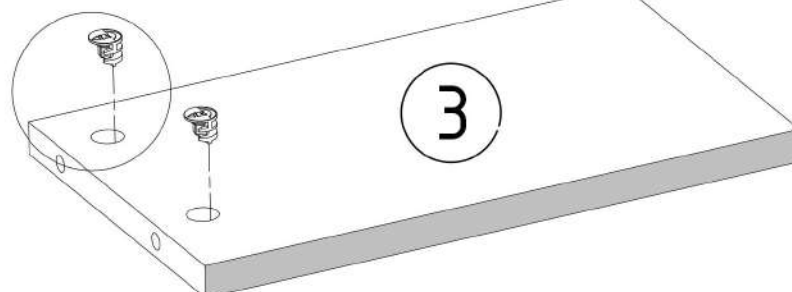
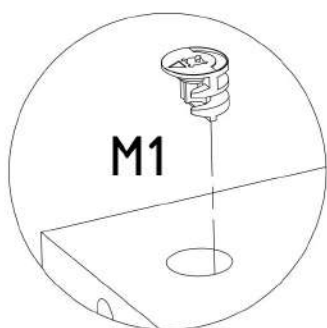
x1



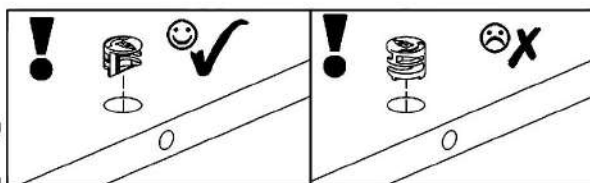
M1






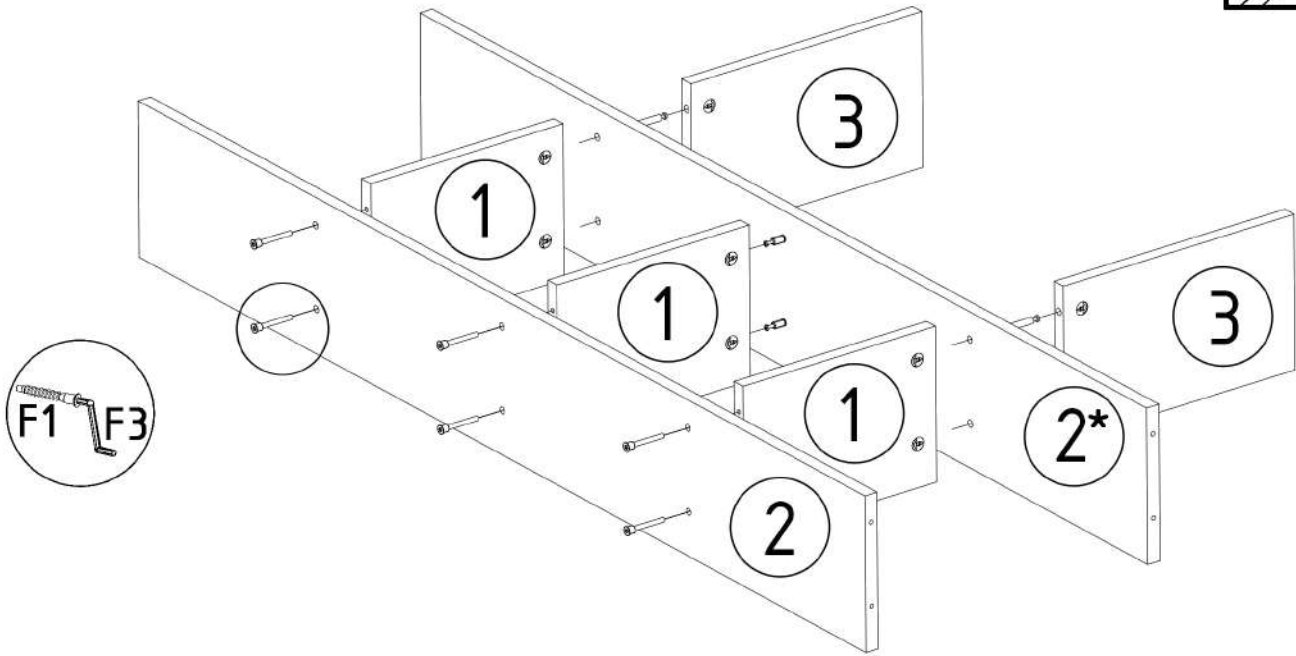
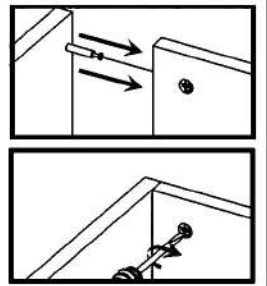
12x15mm x4





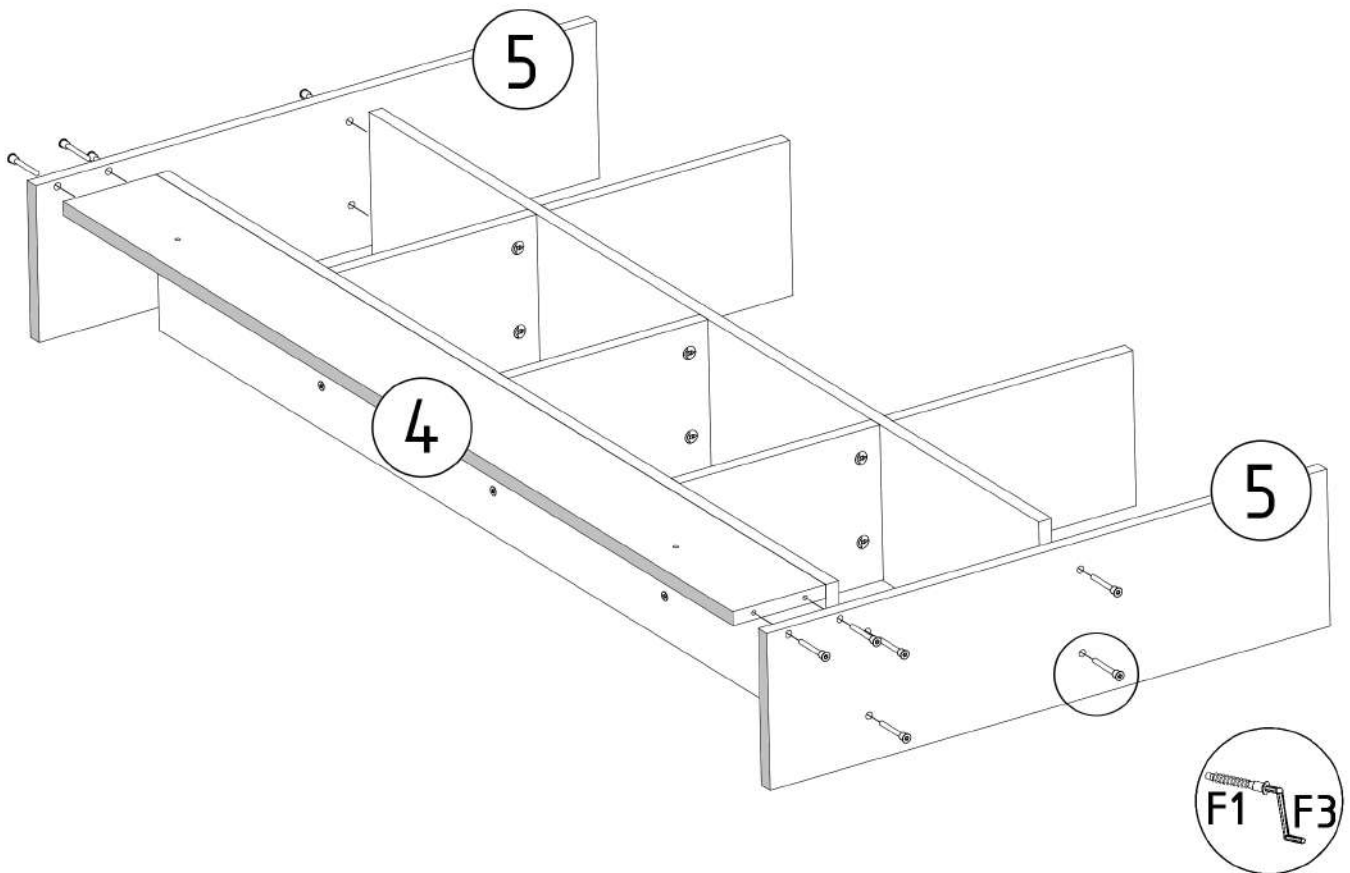
x2

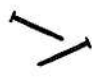



<b>N4</b>  L=62mm	<b>F1</b>  7x50mm	<b>F3</b>  Hex 4mm
<b>x4</b>	<b>x6</b>	

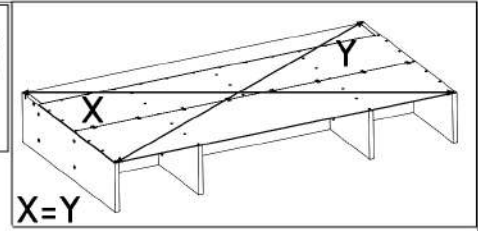
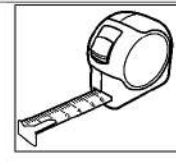


<b>F1</b>  7x50mm	<b>F3</b>  Hex 4mm
<b>x12</b>	

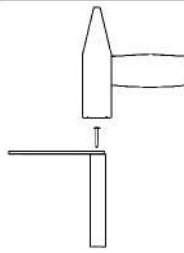
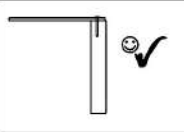
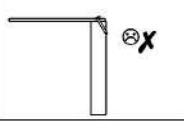
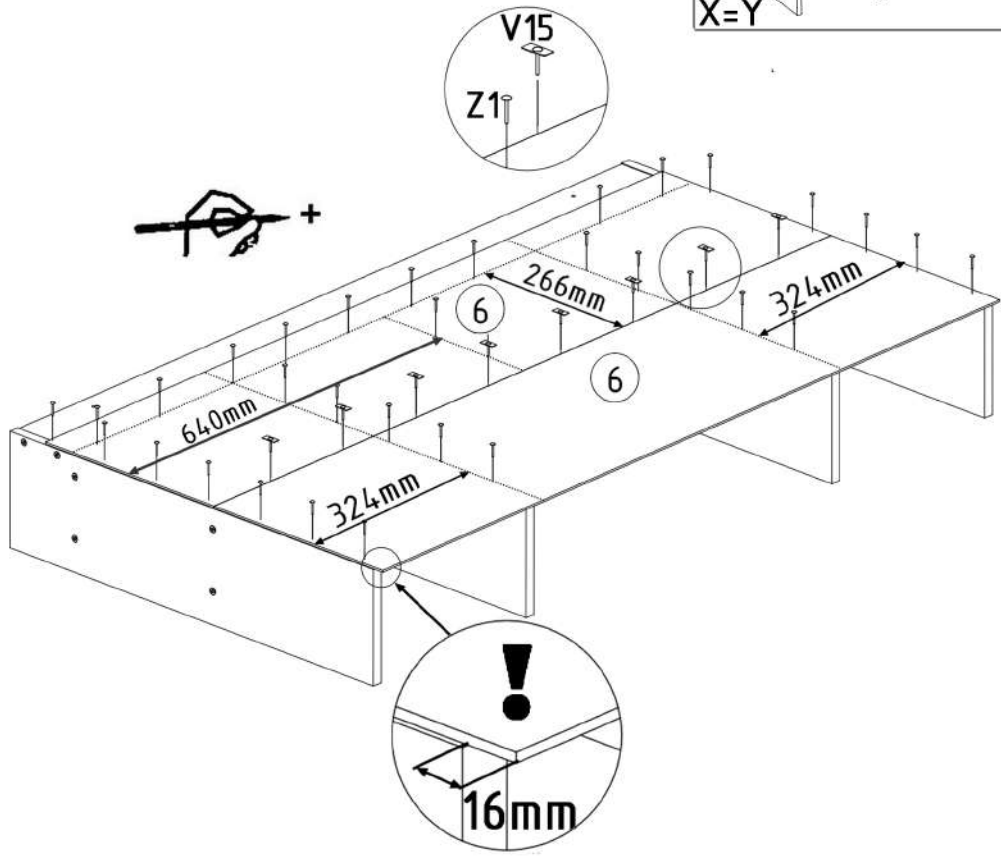


**Z1**  
  
 x50

**V15**  
  
 x8

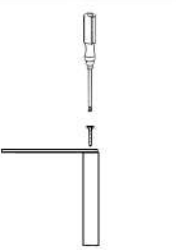
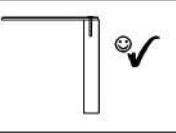
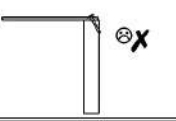
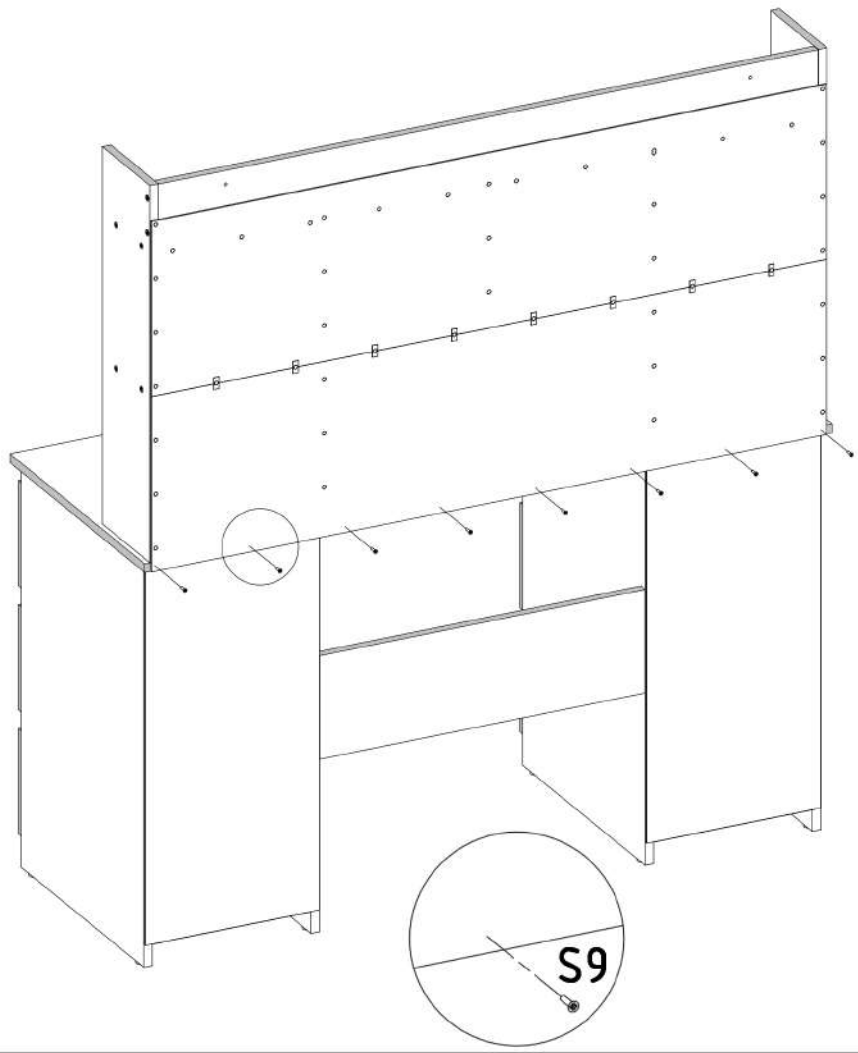




8mm


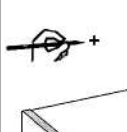







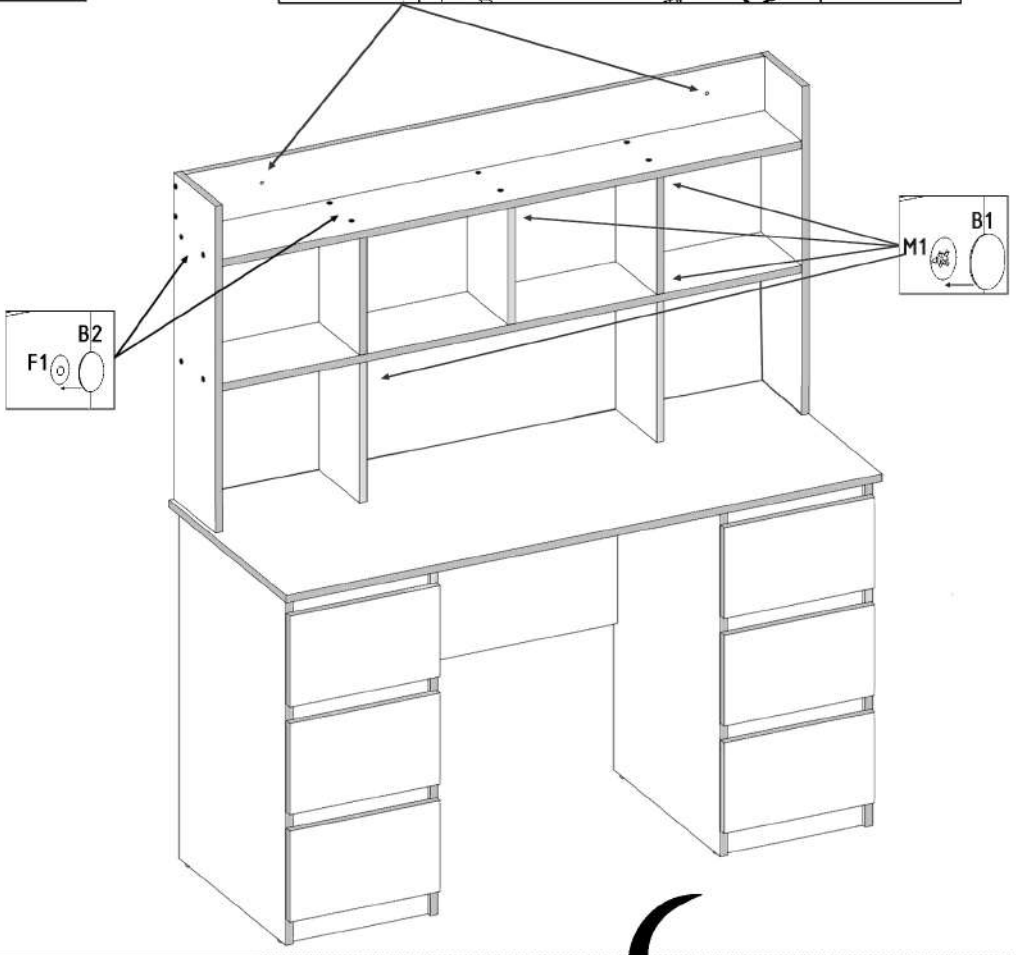
**S9**  
  
 4x16mm x8

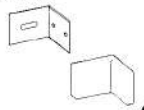


8mm








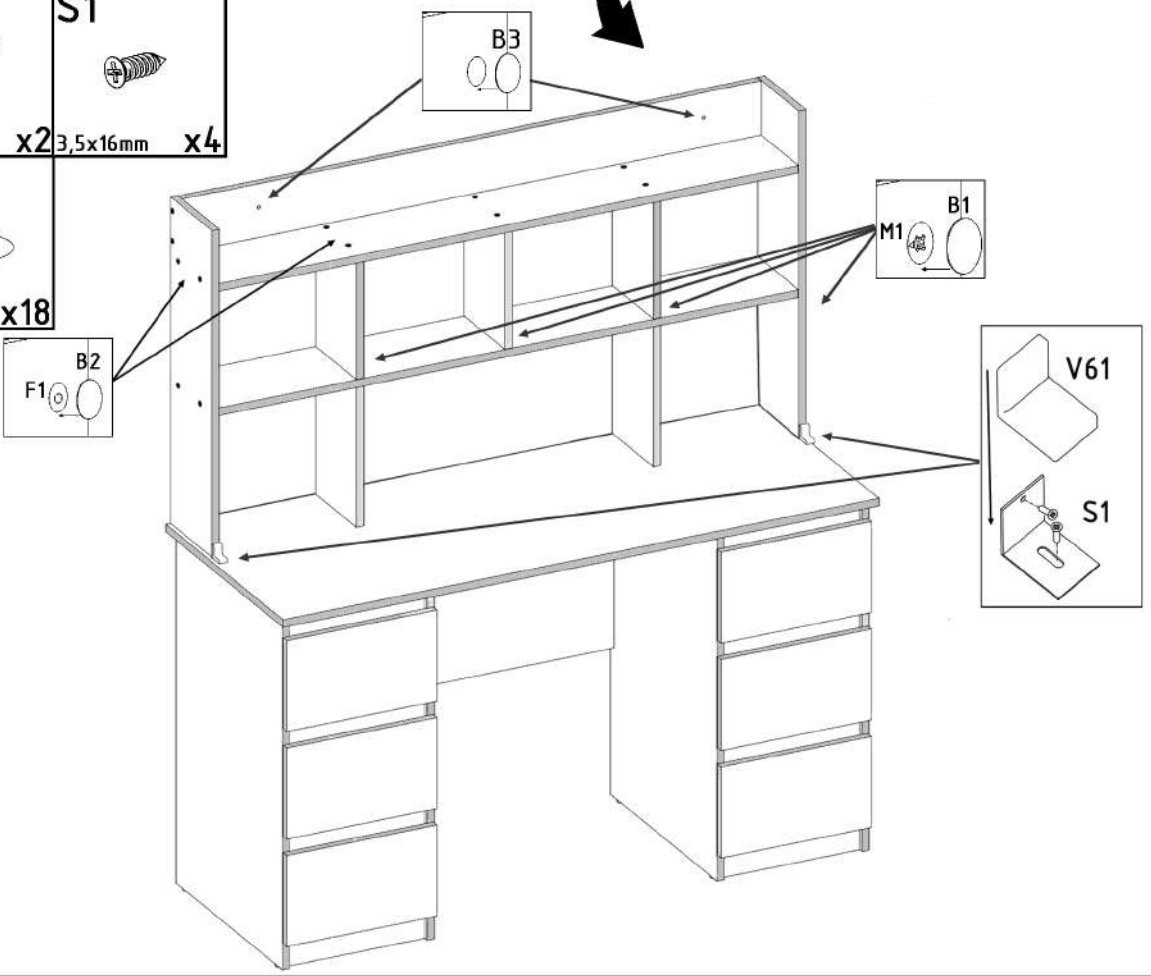
<b>B1</b>  ø17/4mm x10	<b>B2</b>  ø12/4mm x18
--	---

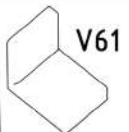
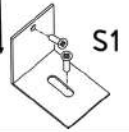
			
--	--	---	--

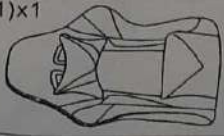

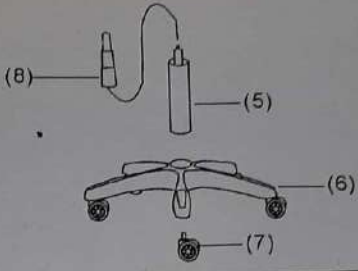
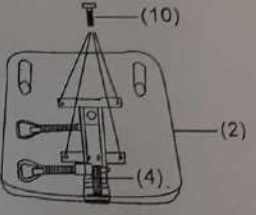






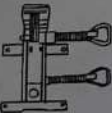
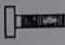

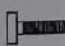








<b>V61</b>  x2	<b>B3</b>  ø7-8/5mm x2	<b>S1</b>  3,5x16mm x4
--	---	---

<b>B1</b>  ø17/4mm x10	<b>B2</b>  ø12/4mm x18
---	---



<b>V61</b> 
<b>S1</b> 

(1)x1 	(8)x1 	STEP 1 	STEP 2 
(2)x1 	(9)x1 		
(3)x1(L)x1(R) 	(10)x4xM6x20 	STEP 5 	STEP 6 
(4)x1 	(11)x3xM6x35 		
(5)x1 	(12)x4xM8x30 	STEP 6 	STEP 6 
(6)x1 	(13)x1 		
(7)x5 		STEP 6 	STEP 6 