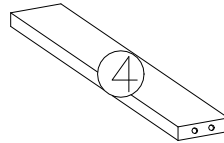
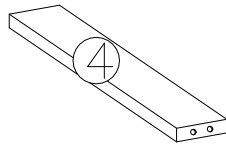
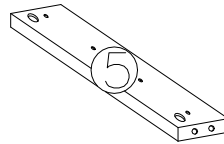
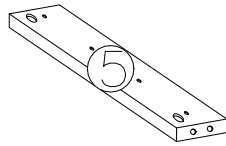
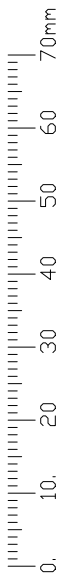
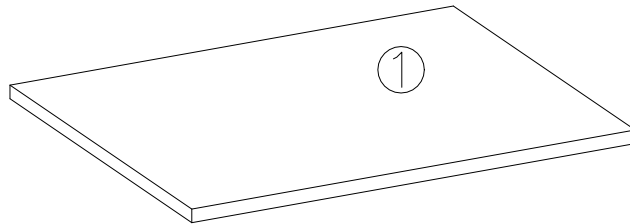
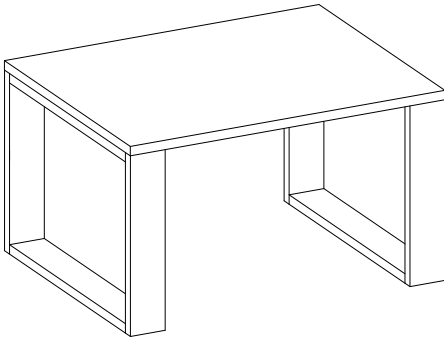
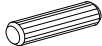


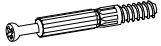

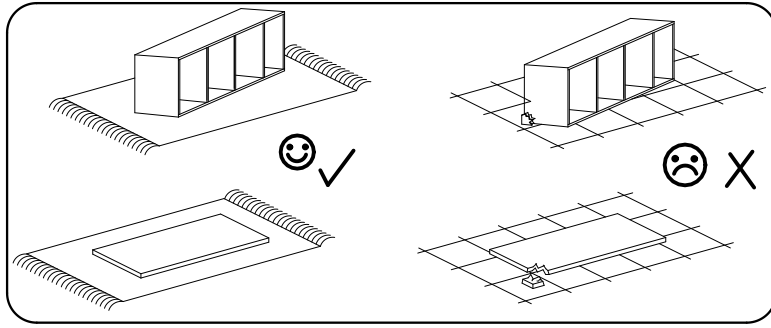


LUCA 60

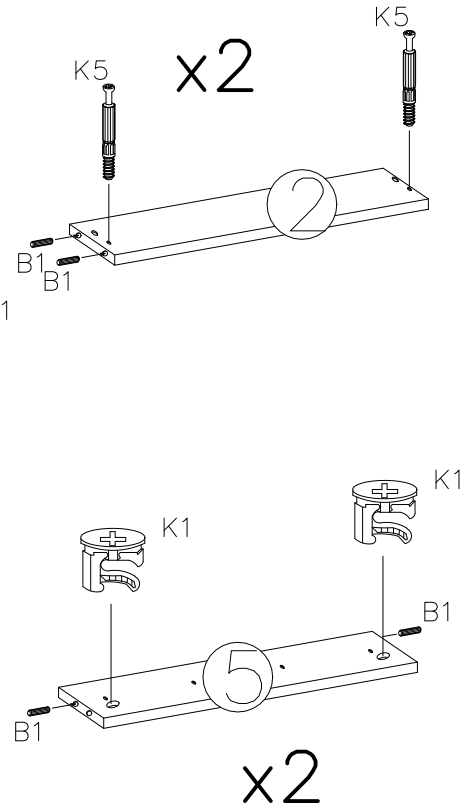
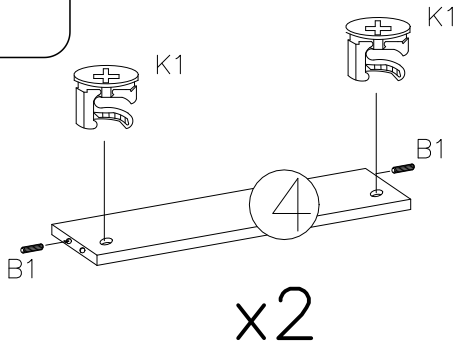
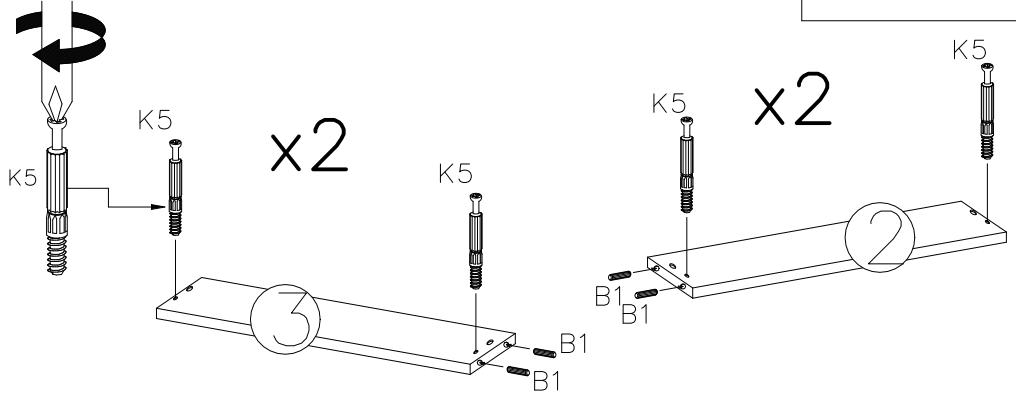
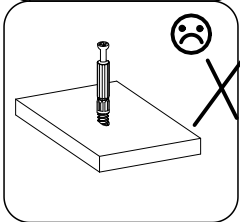
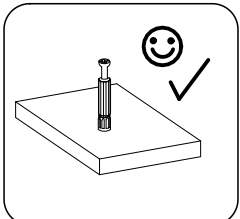


<p>B1</p>  <p>16x</p> <p>ø8x30</p>	<p>G16</p>  <p>4x27</p>	<p>K1</p>  <p>8x</p> <p>4mm</p>	<p>K5</p>  <p>8x</p>	<p>P4</p>  <p>4x</p>
---	--	--	--	---

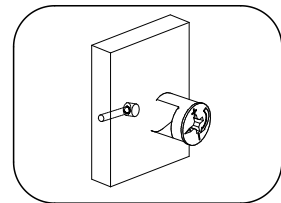
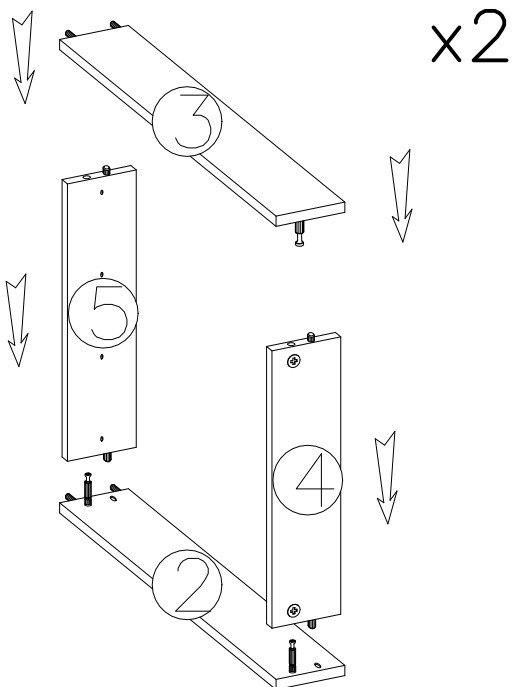
1



B1		16x
K1		8x
K5		8x



2



3

G16
4x27

8x

P4



4x

